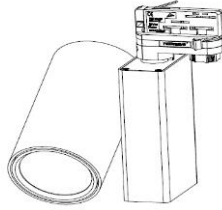
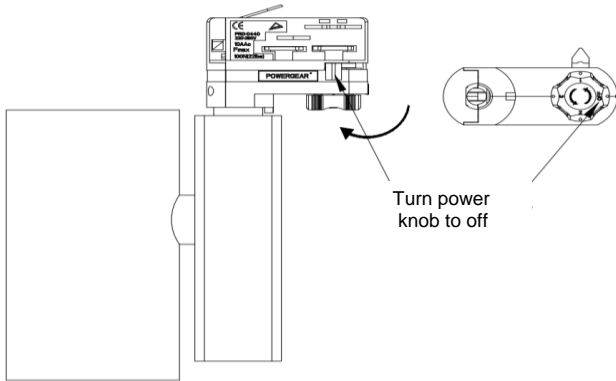


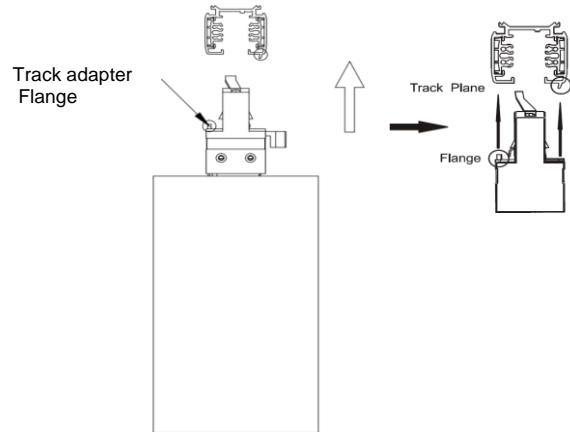
4 wire 3 phase track adapter installation instruction



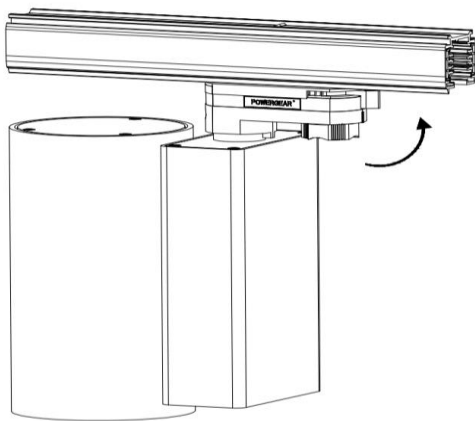
1. Make the power knob to off



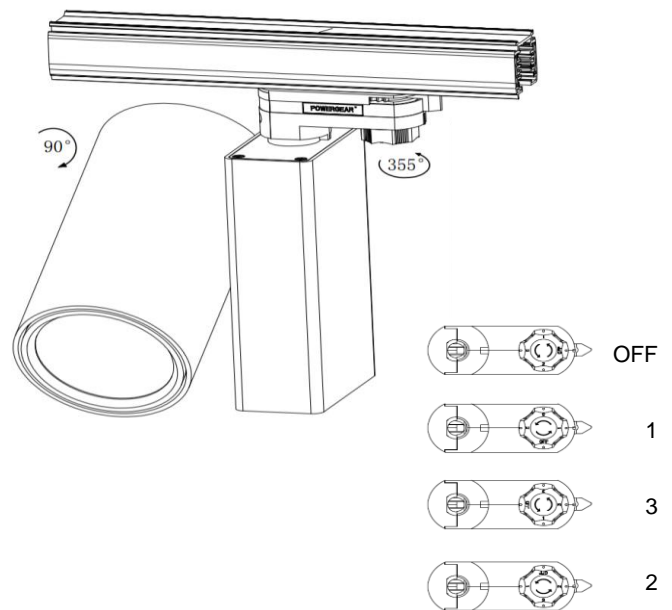
2. Make sure the track adapter flange is in the same track plane
 Then put the track adapter into the track



3. Revolve the hand grip to off position



4. Turn the power knob to choose phase 1-3-2, then finish



Warnings:

1. Make sure that the product is installed properly before connecting to electricity.
2. Do not cover the fitting.
3. Do not touch the reflectors, glass, LEDs etc
4. Maintenance and installation should only be carried out by a professional electrician.