

ELVAN Shenzhen Xinghuo LED Tech Limited

Modular lighting system

Modular LED downlight



Web: www.szshoplight.com

Email: sales@szshoplight.com

What's modular downlight?



The downlight are flexible design,
some parts can be changed
quickly without tools



Shenzhen Xinghuo LED Tech Limited

Description

Modular LED downlight, the most important member of modular lighting, has come to markets.

With modular lighting solution, it will be much flexible for your stock and projects, From now on, you can buy the whole lamps, you can buy trim, reflectors, light module, driver separately and quick assemble or replace some accessories within 5 seconds, they will help you save 50% stock at least and meet clients' various special requirements in shortest time.

The light module can be single color, tunable white, DTW, both SMD and COB version are available, with different light module can give different light output, different color, different CRI, different beam angle and lumen efficiency etc, with magnetic technology, you can change different colors of reflectors, our patent design can give you very low UGR output,

It is also the best solution for after sales service, if you want to change which item, any one can do it quickly, no need electrician, can save a lot of time and money.

ELVAN

Shenzhen Xinghuo LED Tech Limited

What was the advantage?

Buy Modular downlight as whole fixture



Diameter D110mm
Cut out 90-100mm



Diameter D350mm
Cut out 120-130mm



Diameter D200mm
Cut out 170-190mm



Diameter D240mm
Cut out 200-230mm

ELVAN

Shenzhen Xinghuo LED Tech Limited

What was the advantage?

Buy different light module

COB LED module



Single color
Tunable white
Tri-color solution
DTW

SMD LED module



Single color
Tunable white
Tri-color

ELVAN

Shenzhen Xinghuo LED Tech Limited

COB Module 1



Size: D70xH42mm
Single color 5-20W
Tunable white 5-15W
Tri-color solution 5-15W
DTW 5-15 W

SMD Module 1



Size: D70xH42mm
Single color 5-20W
Tunable white 5-15W
Tri-color 5-15W

ELVAN Shenzhen Xinghuo LED Tech Limited

COB Module 2



Size: D70xH76mm

Single color 15-30W

Tunable white 15W

Tri-color solution 15W

DTW 15W

Web: www.szshoplight.com

Email: sales@szshoplight.com

ELVAN

Shenzhen Xinghuo LED Tech Limited

COB Module 3



Size: D150xH55mm
Single color 20-45W
Tunable white 20-40W
Tri-color solution 20-40W
DTW 20-40W

SMD Module 2



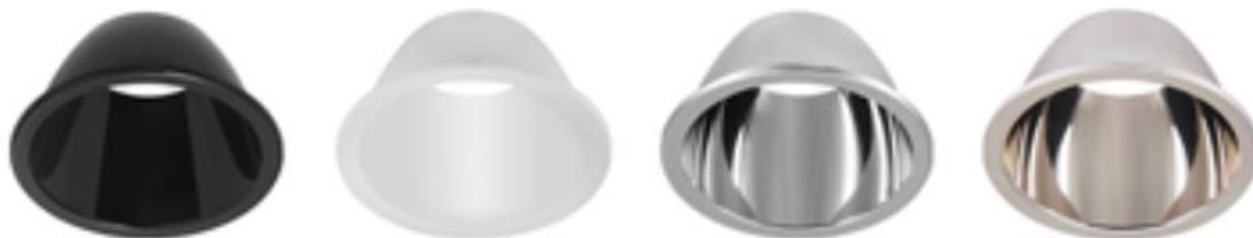
Size: D120xH55mm
Single color 20-45W
Tunable white 20-30W
Tri-color 20-30W

ELVAN

Shenzhen Xinghuo LED Tech Limited

What was the advantage?

Buy different color reflectors



Reflectors 4size, each size 4 color

	size 1	size 2	size 3	size 4
	D80mm	D106mm	D150mm	D188mm
Color	Black	Black	Black	Black
	Silver	Silver	Silver	Silver
	Glod	Glod	Glod	Glod
	White	White	White	White
Materials	Aluminum 1090	Aluminum 1090	Aluminum 1090	Aluminum 1090

Web: www.szshoplight.com

Email: sales@szshoplight.com

ELVAN Shenzhen Xinghuo LED Tech Limited

What was the advantage?

Buy different Trim color



Materials: ADC12 Die cast Aluminum

Trim color: matt white, matt black

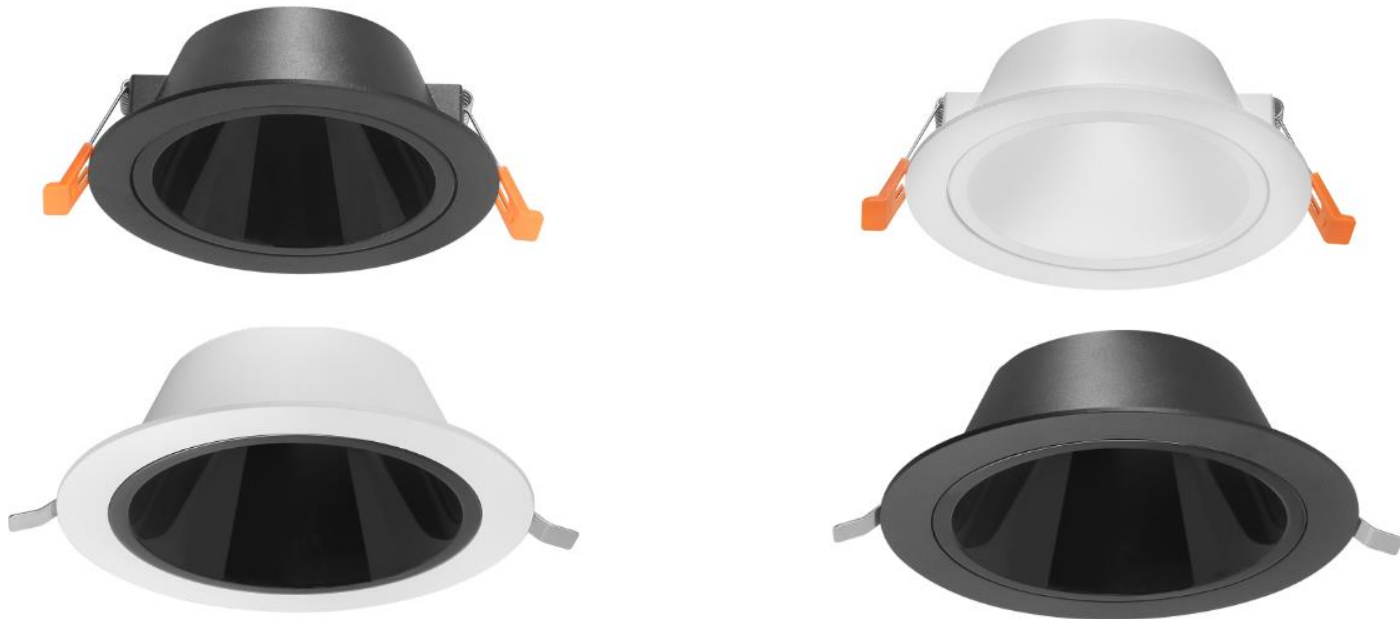
Web: www.szshoplight.com

Email: sales@szshoplight.com

ELVAN Shenzhen Xinghuo LED Tech Limited

What was the advantage?

Buy different Trim +reflector



Materials: ADC12 Die cast Aluminum

Trim color: matt white, matt black

Web: www.szshoplight.com

Email: sales@szshoplight.com

ELVAN Shenzhen Xinghuo LED Tech Limited

What was the advantage?

Buy different brand driver

TRIDONIC

OSRAM

PHILIPS

TCI LED
professional led applications

MW
MEAN WELL

BOKE

Web: www.szshoplight.com

Email: sales@szshoplight.com

ELVAN

Shenzhen Xinghuo LED Tech Limited

What was the advantage?

Buy various dimmable Driver

DALI

TRIAC

0/1-10V

ZigBee

BLE

PUSH



Shenzhen Xinghuo LED Tech Limited

What was the advantage?

Easy to get different lighting output

Full Color temperature: on BBL or B.BBL



Full CRI:



Dim to Warm:

1800-3000K, 2000-3000k



ELVAN

Shenzhen Xinghuo LED Tech Limited

What was the advantage?

Dark light output, Very low UGR



You can see the difference



Shenzhen Xinghuo LED Tech Limited

What's the advantage?

- 1. 4 way to buy the lamps:** A, whole lamps, B, light module + fixture, C, light module or fixture, D, SKD housing
- 2. Comfortable light output:** UGR<16
- 3. Different colors reflector** for different requirements, with magnetic technology, easy to change,
- 4. Save stock, save money**
- 5. Ideal for DIY lighting**, especially for projects (easy to change the CCT, CRI, Beam angle, lm/W, Dimmable, housing color etc.)
- 6. Easy for after sales service**
- 7. The housing can be recycle**



Shenzhen Xinghuo LED Tech Limited

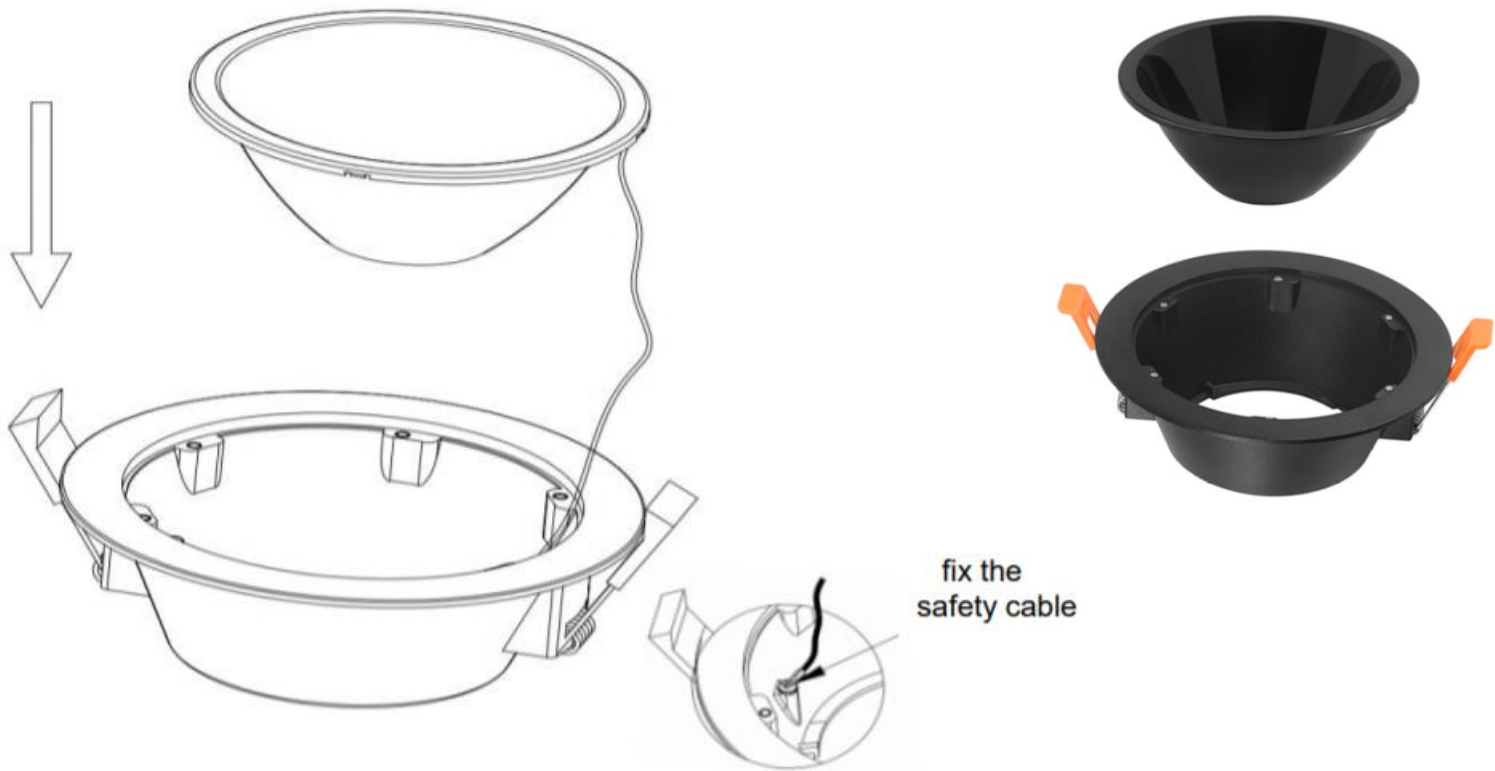
Modular downlight family

Product No	Diameter	Cut out	Wattage	Light module	Color	Beam angle
XH-DL-10W-ML	110mm	90-100mm	10W	COB/SMD	W/DTW/TW	15/24/38/60°
XH-DL-15W-ML			15W	COB/SMD	W/DTW/TW	15/24/38/60°
XH-DL-15W-ML	135mm	120-130mm	15W	COB/SMD	W/DTW/TW	15/24/38/60°
XH-DL-20W-ML			20W	COB/SMD	W(white color)	15/24/38/60°
XH-DL-30W-ML			30W	COB/SMD	W(white color)	15/24/38/60°
XH-DL-20W-ML	200mm	170-190mm	20W	COB/SMD	W/DTW/TW	15/24/38/60°
XH-DL-30W-ML			30W	COB/SMD	W/DTW/TW	15/24/38/60°
XH-DL-30W-ML	240mm	200-230mm	30W	COB/SMD	W/DTW/TW	15/24/38/60°
XH-DL-40W-ML			40W	COB/SMD	W/DTW/TW	15/24/38/60°
XH-DL-45W-ML			45W	COB/SMD	W(white color)	15/24/38/60°

W (white color)
DTW (Dim to Warm white)
TW (Tunable white)

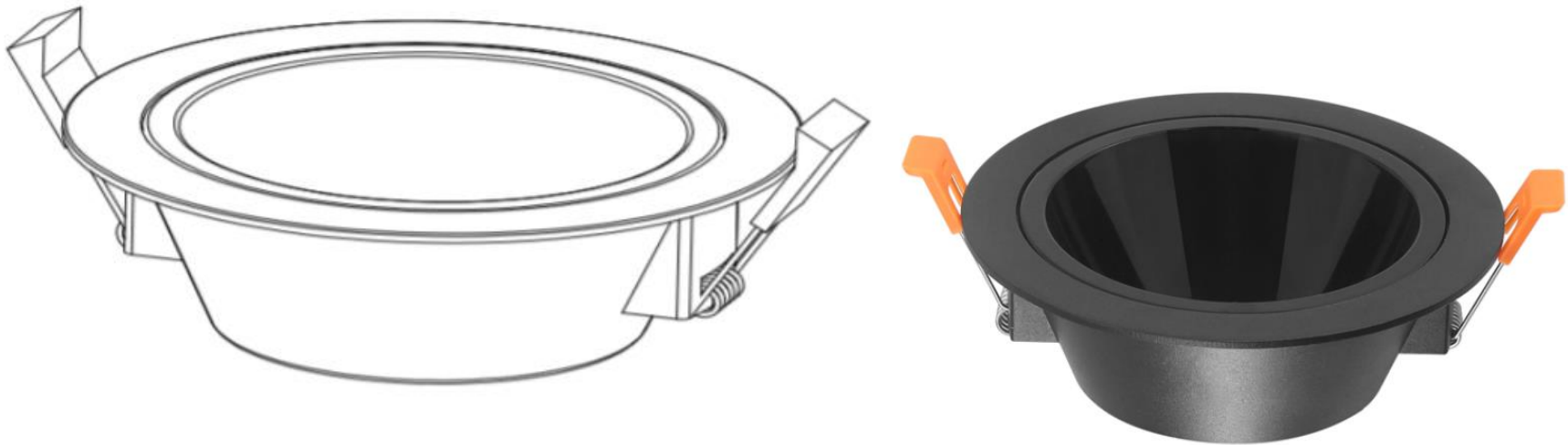
How modular downlight work?

1. Choose the right reflector color, fix the safety cable to the trim



How modular downlight work?

2. Put the reflector to the trim

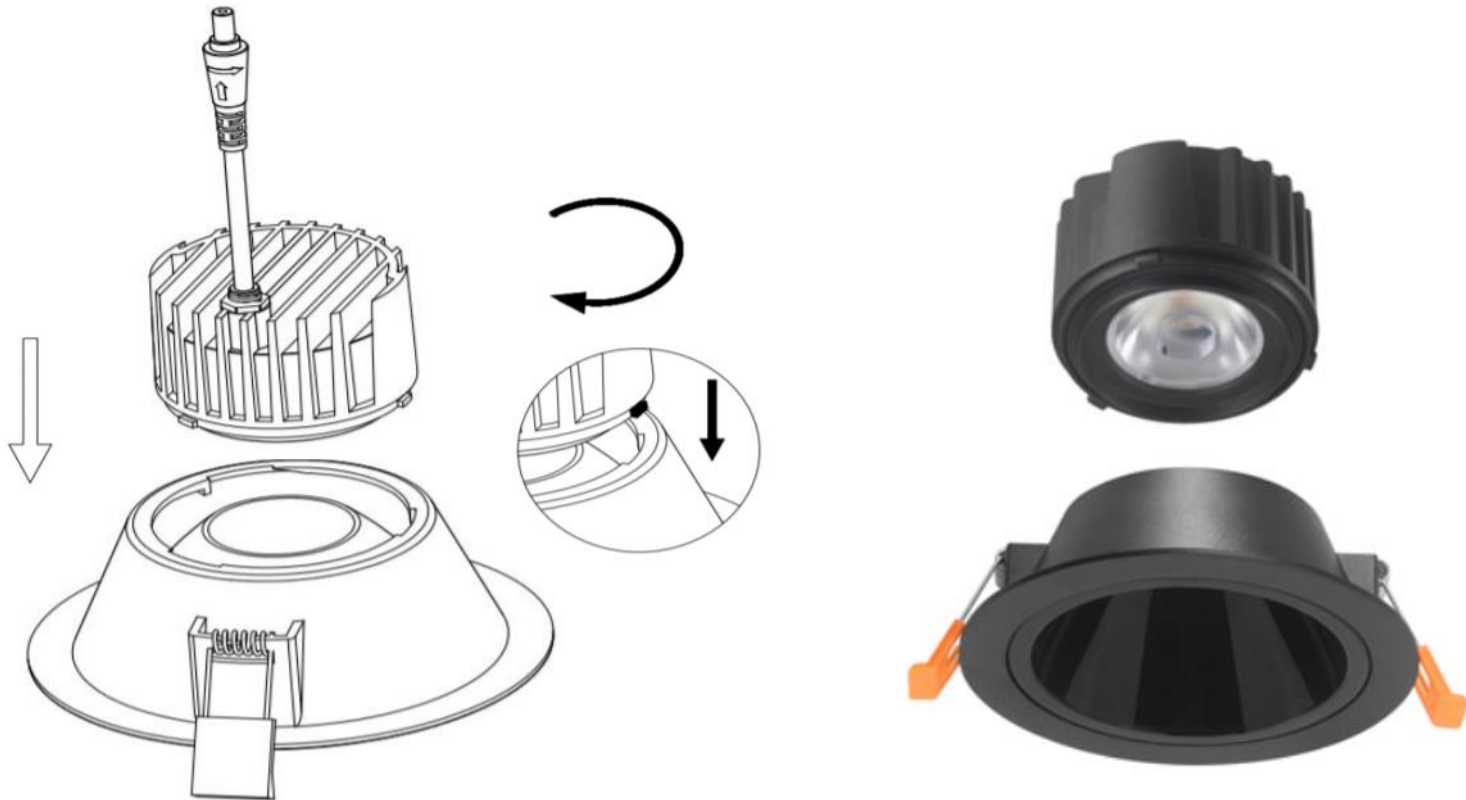


ELVAN

Shenzhen Xinghuo LED Tech Limited

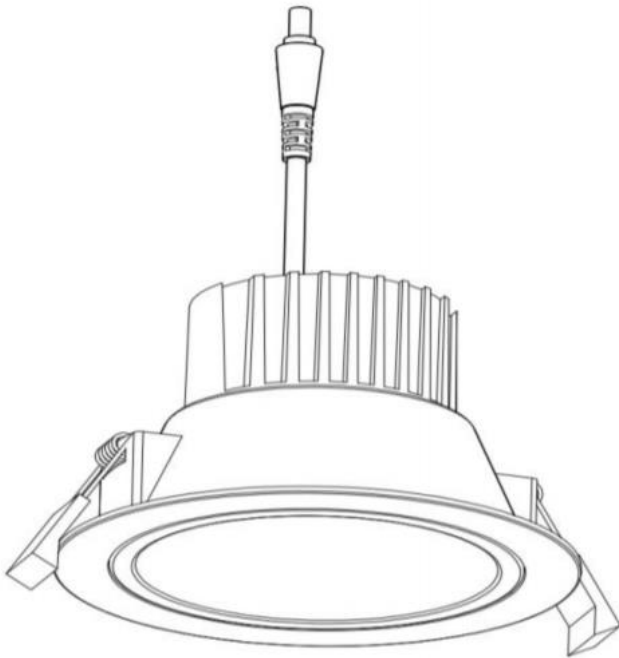
How modular downlight work?

3. Choose the right light module(Color, CRI, Wattage, Beam angle, lm/W etc)



How modular downlight work?

4. Put the light module to trim and turn right



ELVAN

Shenzhen Xinghuo LED Tech Limited

How our modular downlight work?



Web: www.szshoplight.com

Email: sales@szshoplight.com

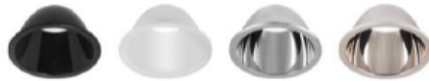
How modular downlight?

How modular downlight work

ADC12 Die cast aluminum



Different color reflector
black, white, silver, gold,



Dark light output
UGR<16

With magnetic technology,
you can change the
reflectors very easily



COB LED module
Single, DTW,
Tunable white

SMD LED module
Single, Tri-color
Tunable white



Diameter 110mm
Cut out:90-105mm

Diameter 135mm
Cut out:110-130mm

Diameter 200mm
Cut out:170-190mm

Diameter 240mm
Cut out:200-230mm



ELVAN

Shenzhen Xinghuo LED Tech Limited

Modular lighting family



ELVAN

Shenzhen Xinghuo LED Tech Limited

For more details, please contact our sales

Thank you!

Web: www.szshoplight.com

Email: sales@szshoplight.com