

# Anti-glare LED Track Light



**XINGHUO LED TECH LIMITED**



**Commercial Lighting Expert**

**Your Trustworthy LED lighting partner in China**

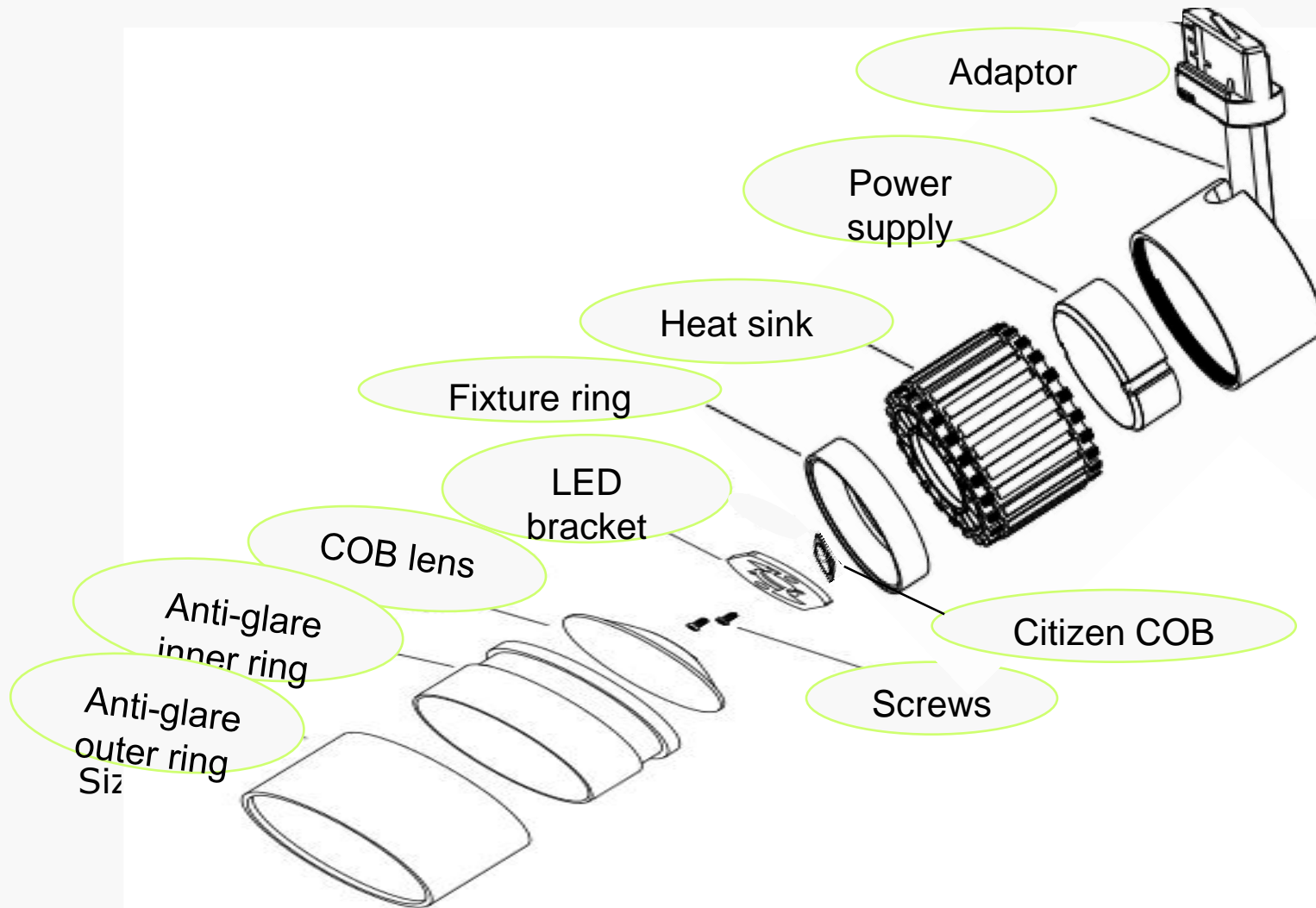
# Anti-glare LED Track Light

## Features:

- Design: Anti glare, 100-140lm/W
- COB LED: Citizen COB LED, no shadow, strong penetrability
- High CRI 80, 90 and 97 are available for 2700K, 3000K and 4000K
- Complete kit with triac dimmable or 1-10v dimmable driver or Zigbee controller
- Power factor: 0.95
- Design: Unique, Invisible wires, fashion, color finish(White, Silver, Black )
- Adjustable: Continuous 350° rotation and 90° pivot
- Compare to Metal halide: instant start, no noisy and environment-friendly.
- Watt: 15/20/25/30/45W
- Exceed the requirement of EMC and LVD
- 3 years warranty

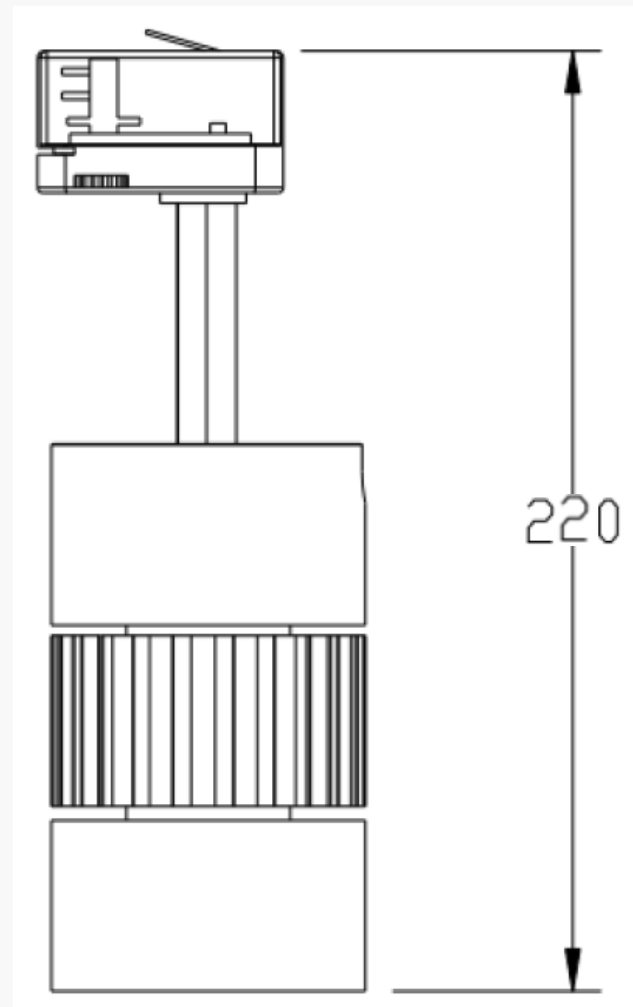
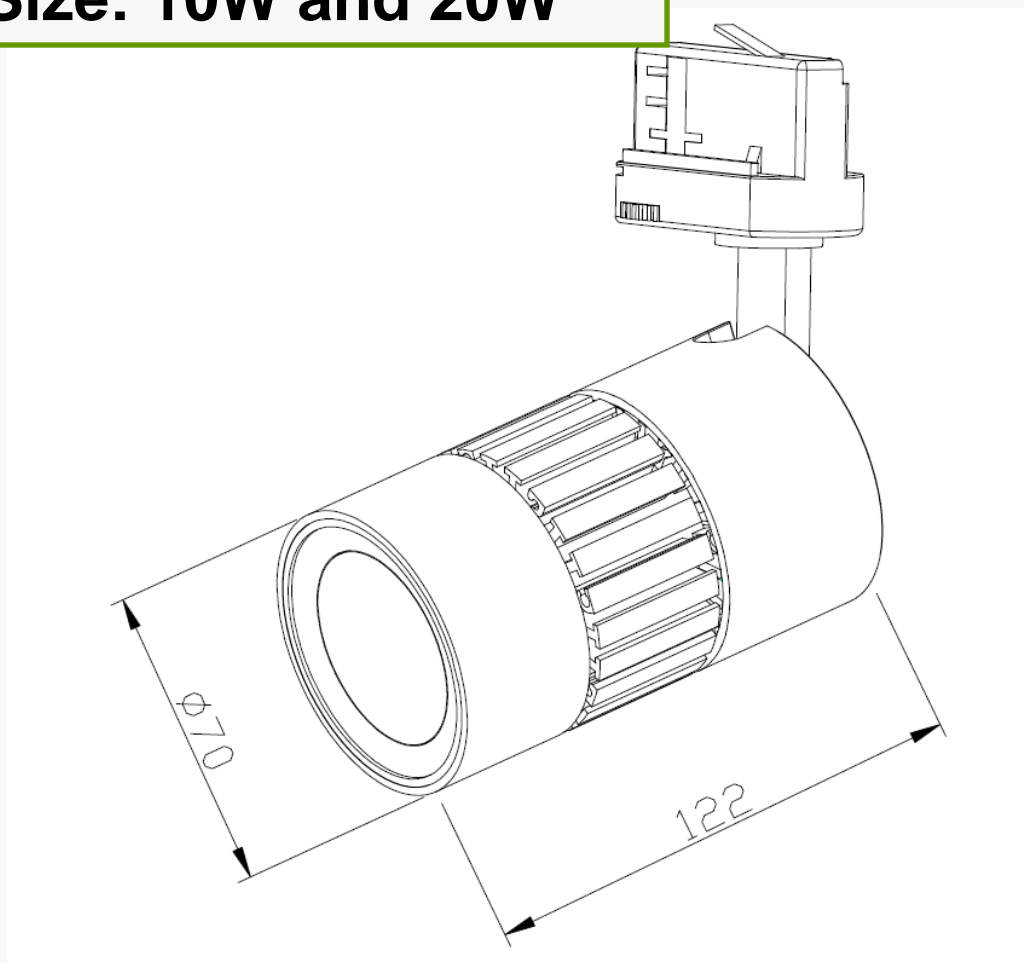


# Anti-glare LED Track Light



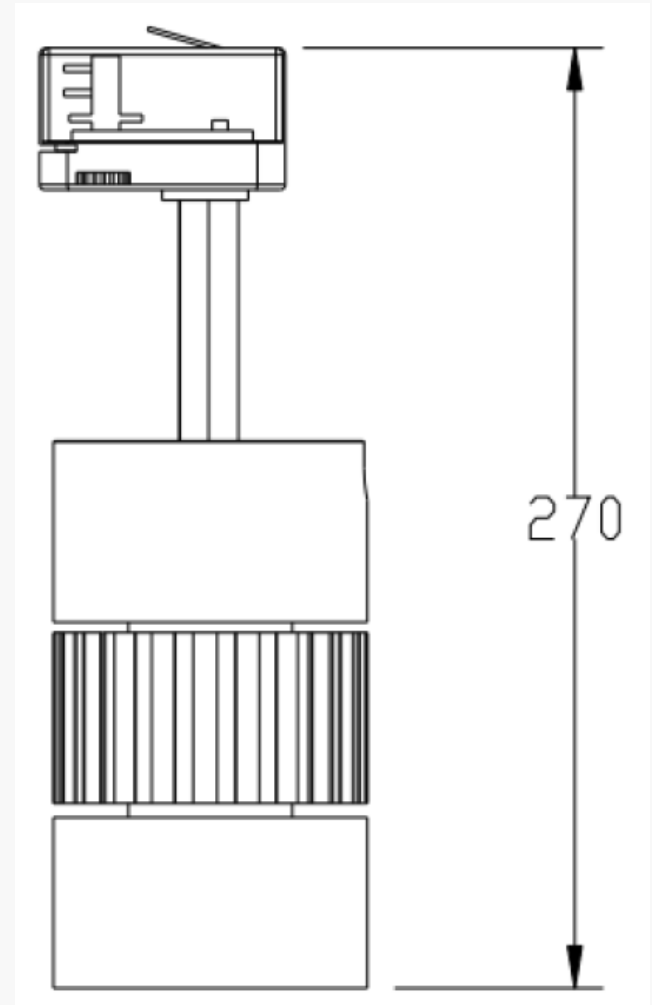
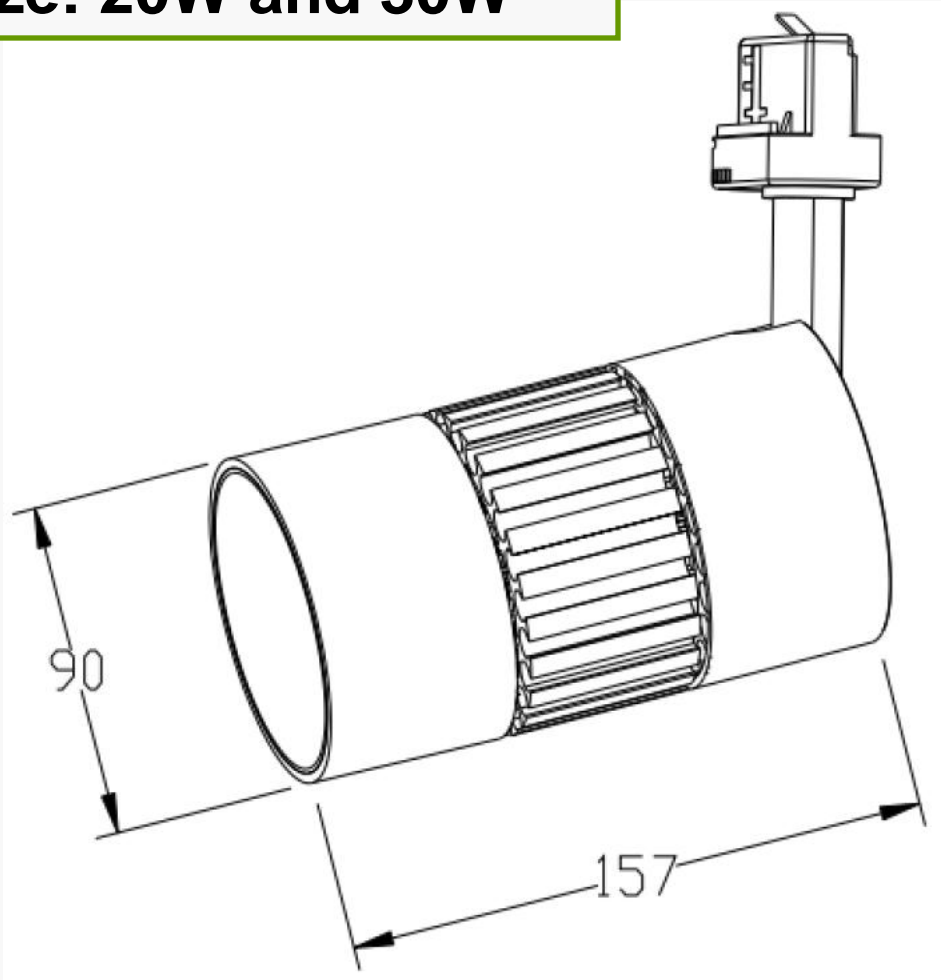
# Anti-glare LED Track Light

**Size: 10W and 20W**



# Anti-glare LED Track Light

**Size: 20W and 30W**



# Anti-glare LED Track Light

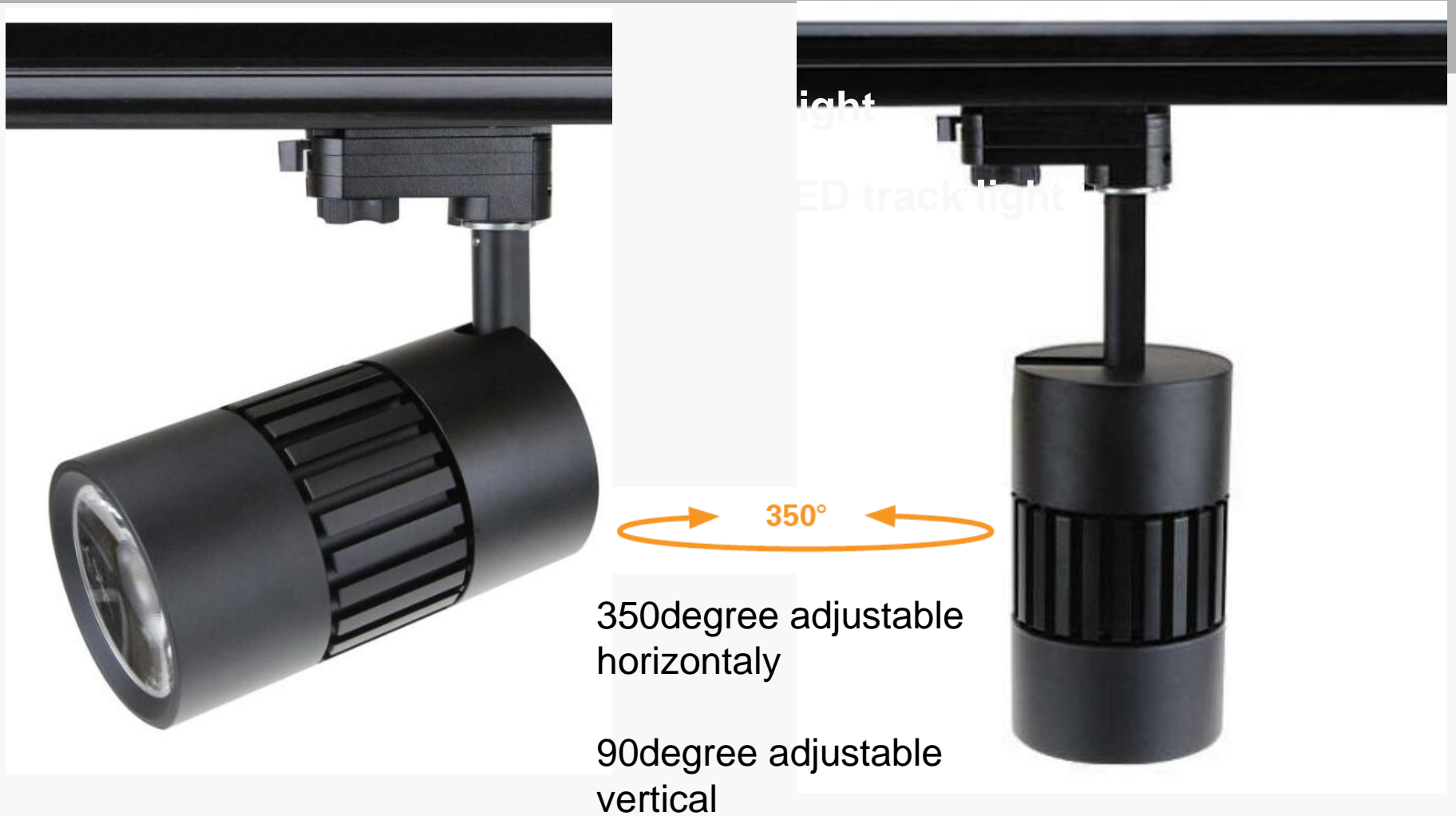


350°

350degree adjustabl  
horizontaly

90degree adjustable  
vertical

# Anti-glare LED Track Light



# Anti-glare LED Track Light



## 4-wire 3phase adapter

Fire resistant material, universal compatible with GLOBAL, EURO, NORLUX, NUCO, STAFF, NORDIC CE, TUV GS certified  
2-wire, 3-wire available



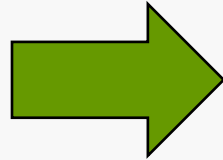
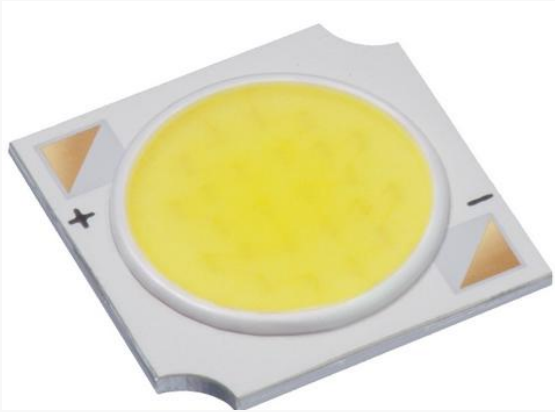
## Heat Sink & Lamp Body

6063 Brushed Aluminium  
Excellent thermal dissipation  
Unique and fashion design





# Anti-glare LED Track Light



## LED Chip Citizen COB

The fourth generation

High CRI: **80+, 90+, 97+**

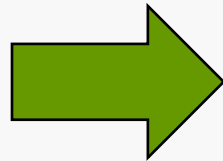
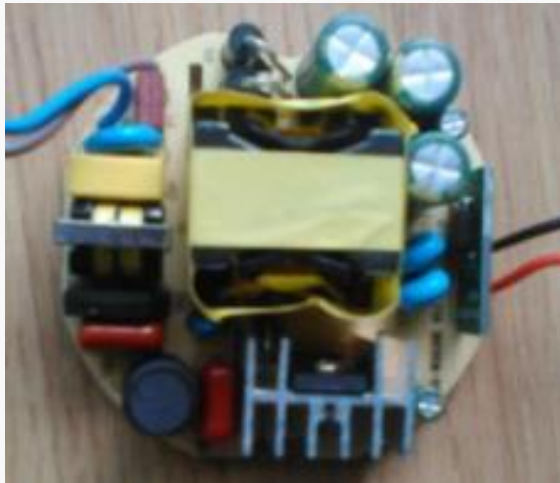
High Bright: 100-140lm/w

Wattage: 1202 for 10W,15W

1205 for 20W,25W

1206 for 30W,35W

1206 for 40W,45W



## LED Driver

Isolated constant current driver

CE and RoHS certified, high PF>0.95

# Anti-glare LED Track Light



Step

Null line

Earth wire

Track fixture

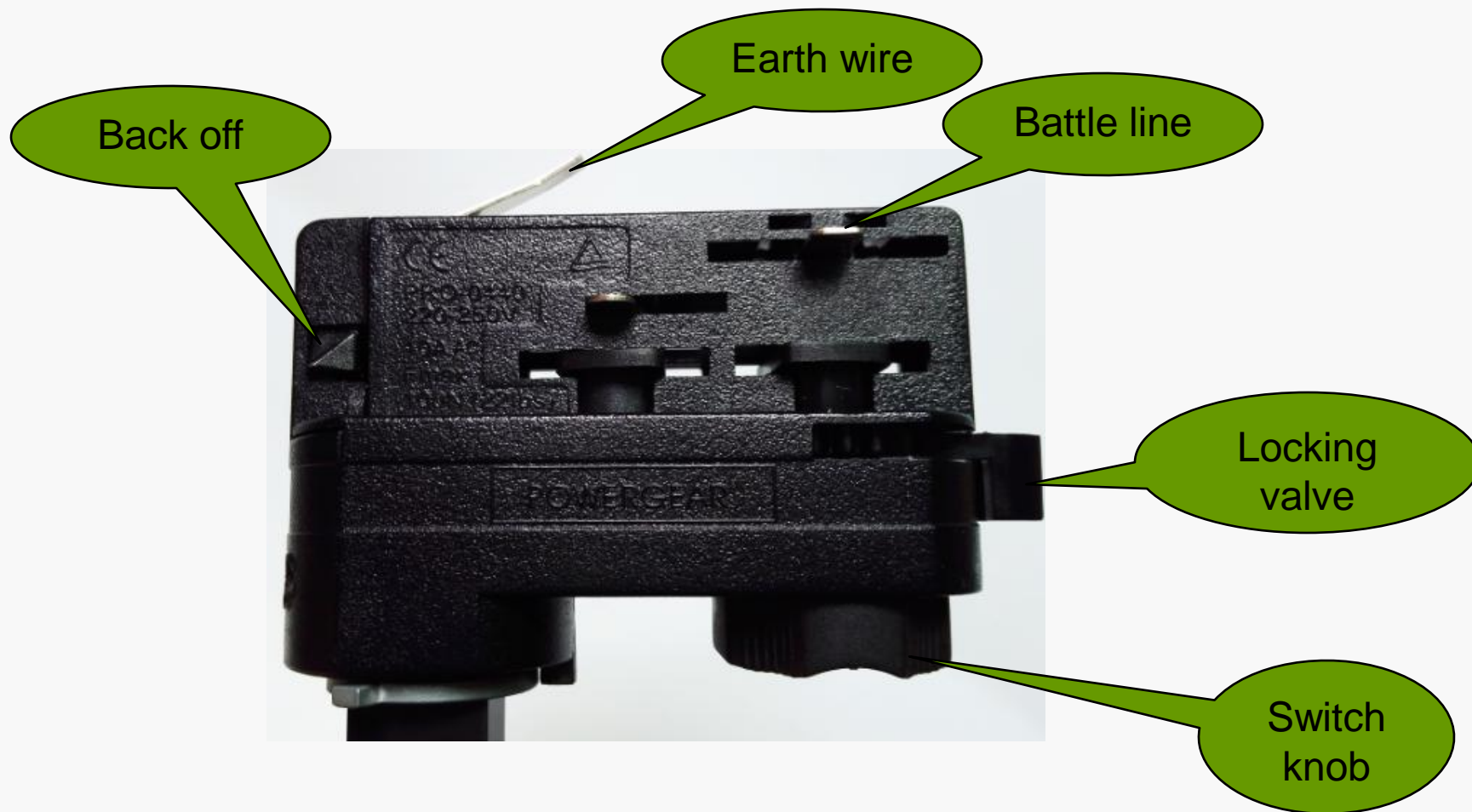


Track top

Switch knob



# Anti-glare LED Track Light



# Anti-glare LED Track Light



## Installation and illustrations

1. Turn switch knob to off,
2. Pull the locking valve to one side with an angle of 90degree,
3. Embed track top into the groove of track stick,  
Make sure the step and the track fixture are at the same direction,  
During assembling and disassembling, put it in at an angle of 45degree first and then keep it horizontal,
4. Turn the locking valve to the parallel with track top,
- 5, adjust the swith knob to an appropriate gear,
- 6, power on, thrn the switch knob till the track light works, that all

# Anti-glare LED Track Light

Equivalent to metal halide track light

```
graph TD; A[Equivalent to metal halide track light] --> B[15W Equivalent 20W metal halide track light or 120W halogen lamp]; B --> C[20W Equivalent: 35W metal halide track light]; C --> D[30W Equivalent: 50W metal halide track light]; D --> E[45W Equivalent: 70W metal halide track light];
```

15W Equivalent 20W metal halide track light or 120W halogen lamp

20W Equivalent: 35W metal halide track light

30W Equivalent: 50W metal halide track light

45W Equivalent: 70W metal halide track light

# Anti Glare LED Track light



- Advantage:
- 6063 Aluminum alloy as body materials, better for heat dissipation and excellent thermal performance are the greatest advantages of the products, the main cooling system introducing the advanced liquid cooling technology, while taking advantage of the chimney principle to accelerate air convection, heat conduction, radiation, convection complement each other to maximize the heat dissipation,
- High luminous efficiency, the product cooling system designed guarantee internal LED light source working stable , and LED's luminous flux and luminous efficiency has been significantly improved, And under the same power consumption to compare with the similar,
- CRI(color rendering index)RA>80/90/97, use Citizen LM80 approved COB LEDs from Japan original, thermoelectric separation design, high reliability, light decline is small, long life span.
- Shape design concise and fluent, suitable for various environmental style collocation

# Application

- Ideal for accent lighting of shops, museums, gallery, schools, hotels, etc.





# The End

## Thank you

## Welcome to visit our factory

**Add: 3F Bldg3, Landwind Industrial Zone, Tangtou Avenue,  
Shiyan Town, Bao'an District, Shenzhen, China. 518108**

**Tel: 0086-755-29681895**

**Web: [www.ledxh.cn](http://www.ledxh.cn)**

**Fax: 0086-755-29681896**

**Email: [support@ledxh.cn](mailto:support@ledxh.cn)**