

Beam angle adjustable LED track light

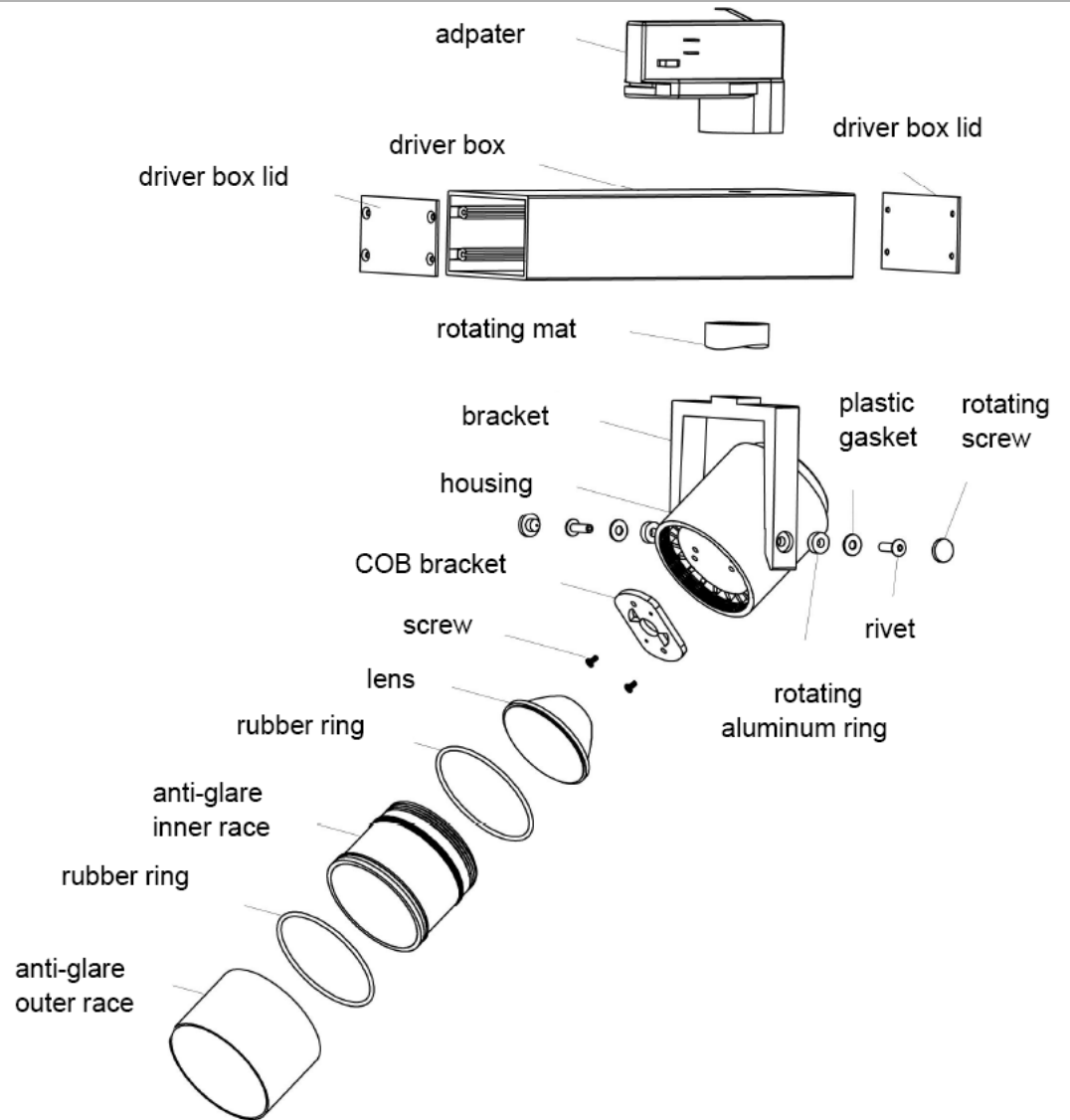


XINGHUO LED TECH LIMITED

Your trustworthy LED lighting partner in China

Beam angle changeable LED track light

Structure



Beam angle changeable LED track light

Why beam angle changeable LED track light?

- Normal track light only has 1 beam angle, sometimes the beam angle is too large, more light wastes; sometimes the beam angle is too small, the goods cannot be completely shone, our new track light can change the beam angle from 10° to 70° , easily solving this problem.
- Sometimes, our cabinet moved, but the track fixture is hardly to move, our new track light can easily change the beam angle for the new position where cabinet stands, no need to move the track housing, saving time and money.

Beam angle changeable LED track light

How to change the beam angle?



The beam angle increases by pushing out ring, and decreases by pulling out outer ring.

Video on Vimeo&Youtube

<https://vimeo.com/166894951>

<https://youtu.be/9S5GnVZNHfs>

10° - 70°

Beam angle changeable LED track light

10° -70° beam angle adjustable



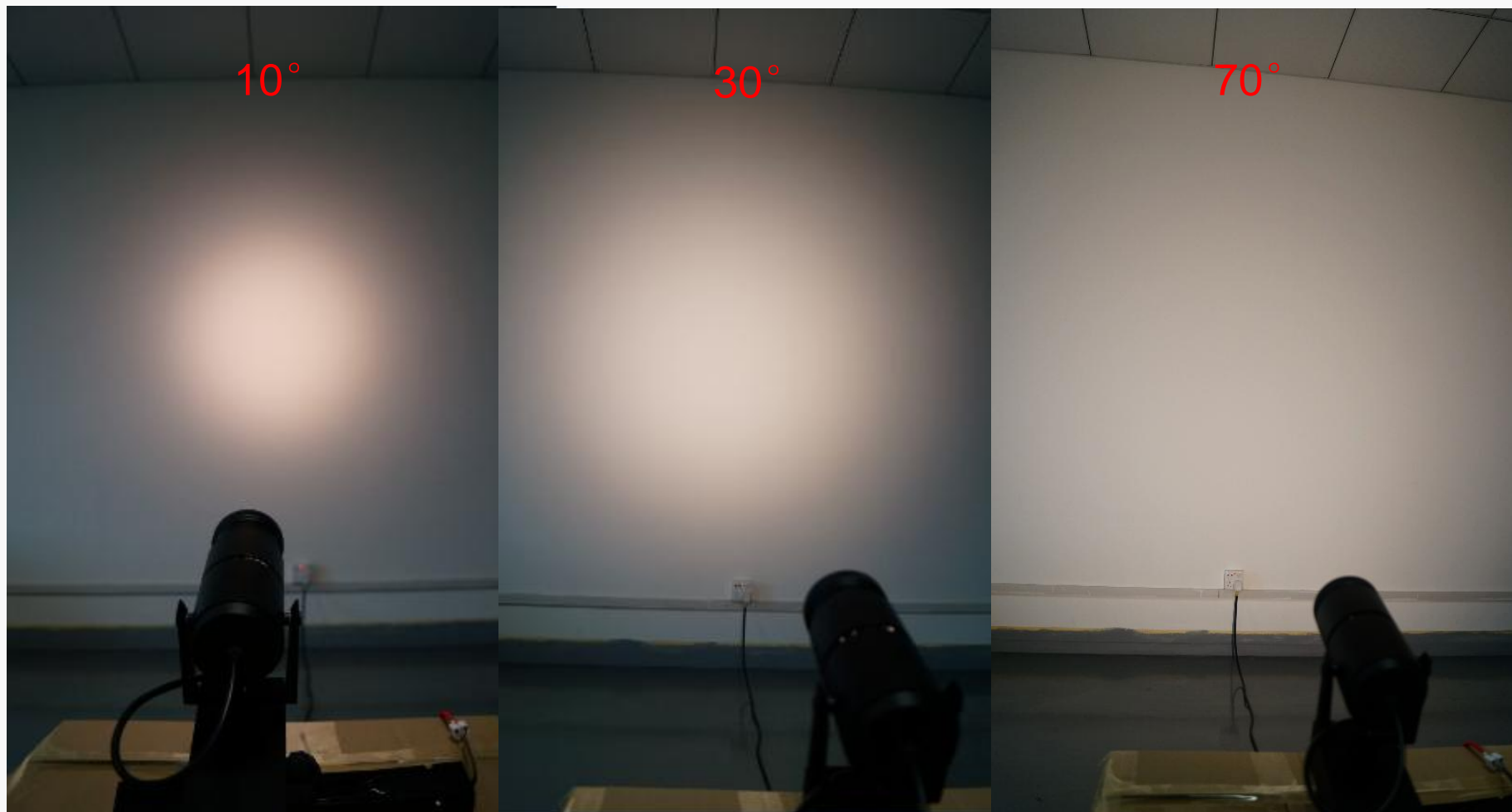
10°

30°

70°

Beam angle changeable LED track light

10° -70° beam angle adjustable

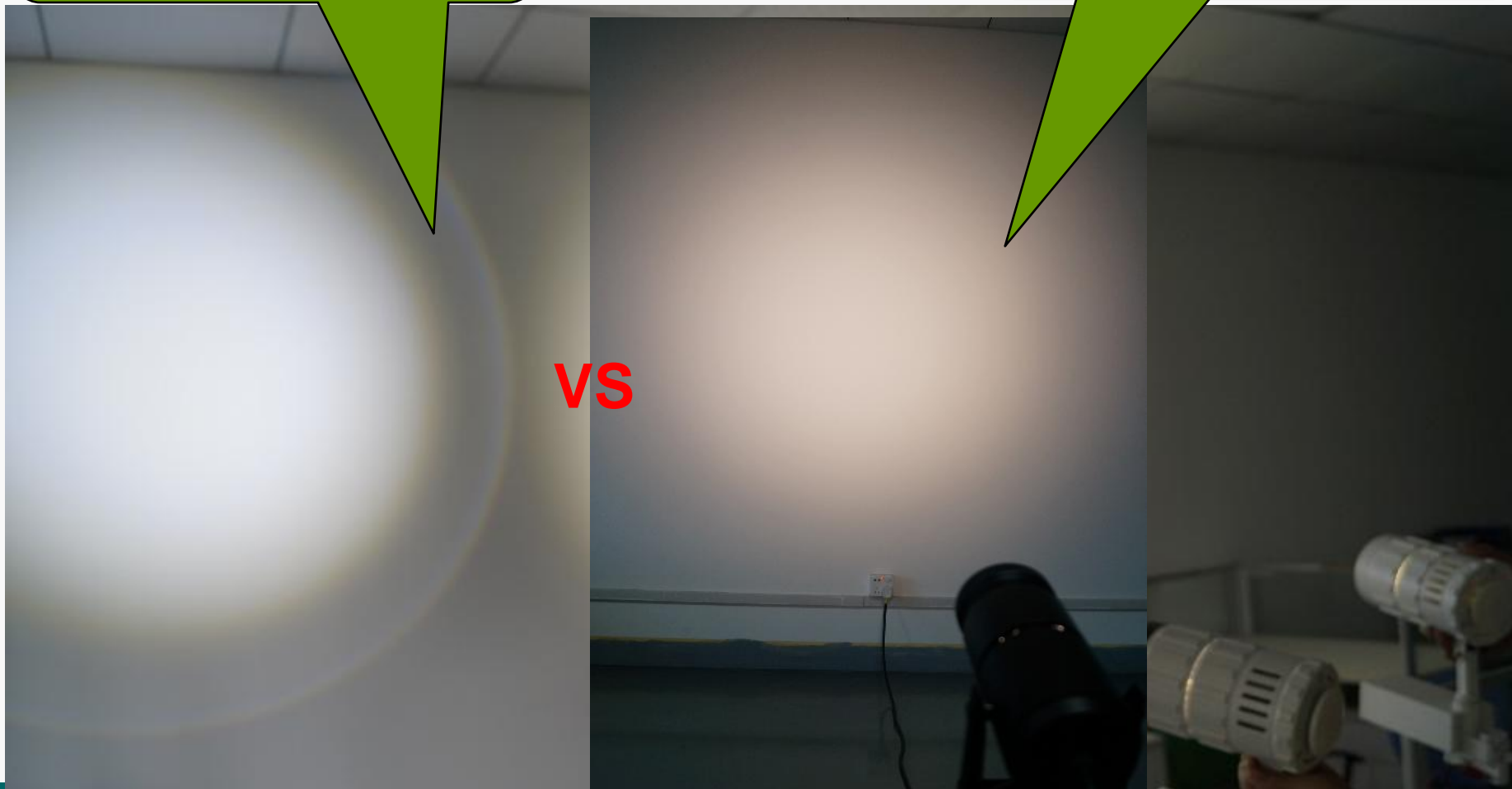


Beam angle changeable LED track light

Other factory's beam angle changeable track light, has rainbow, several colors

Why Us?

Xinghuo's beam angle changeable track light, no rainbow, no other colors



VS

Beam angle changeable LED track light




Specifications

- Light Source Citizen/CREE/Sharp COB LED
- Housing Materials 6063 brushed aluminum
- Housing color Black, white, silver
- Dimmable Triac, DALI, 0-10V, DMX, ZigBee
- Track Adaptor 4-wire, 3-wire, 2-wire
- Power 25W, 20W, 15W
- CRI 97+, 90+, 80+
- Color Temperature 2700K, 3000K, 4000K
- Luminous Efficiency 100-120Lm/W
- Power Factor >0.95
- Driver Philips, Tridonic, LED friend
- Operating Temp. -20-+45° C
- Warranty 3-5 years

Beam angle changeable LED track light

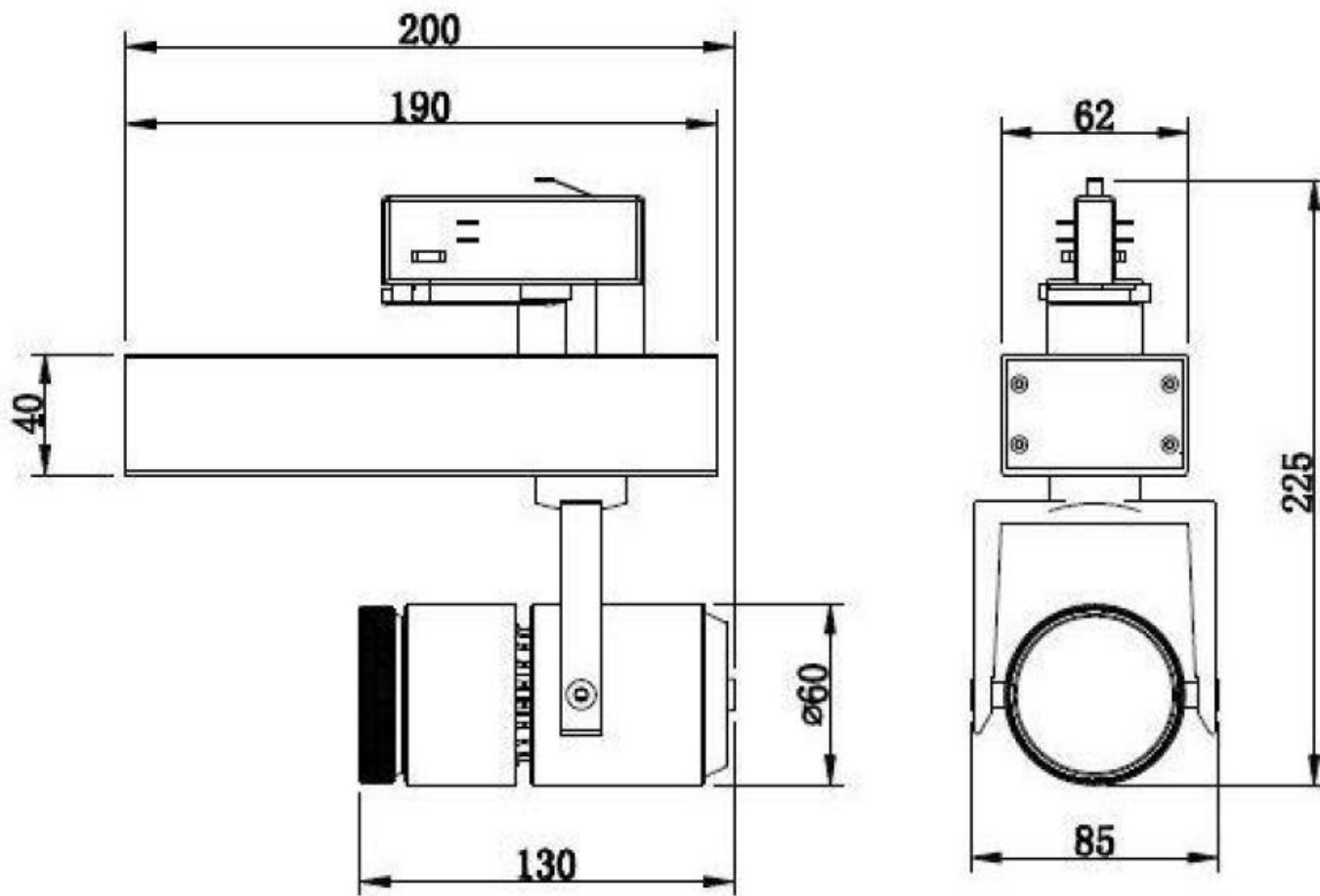
Catalogue

E-Series Beam Angle Adjustable LED Track Light

Part Number	Picture	Dimension (DxLxH)(mm)	Power	LED Chip	CRI	Color Temperature	Luminous Flux(lm)	Beam Angle	Voltage& Frequency	Connector Phase	IP Rate
XH-TL-15W-E		Φ60*130*220	15W	Version4 Citizen 1202 COB LED	97+ 90+ 80+	2700K 3000K 4000K	1100- 1300lm	10°-70°	AC100-240V 50/60Hz PF>0.95	4-wire 3-wire 2-wire	IP44
XH-TL-20W-E		Φ70*155*240	20W	Version4 Citizen 1205 COB LED	97+ 90+ 80+	2700K 3000K 4000K	1500- 1700lm	10°-70°	AC100-240V 50/60Hz PF>0.95	4-wire 3-wire 2-wire	IP44
XH-TL-25W-E		Φ70*155*240	25W	Version4 Citizen 1206 COB LED	97+ 90+ 80+	2700K 3000K 4000K	1800- 2100lm	10°-70°	AC100-240V 50/60Hz PF>0.95	4-wire 3-wire 2-wire	IP44

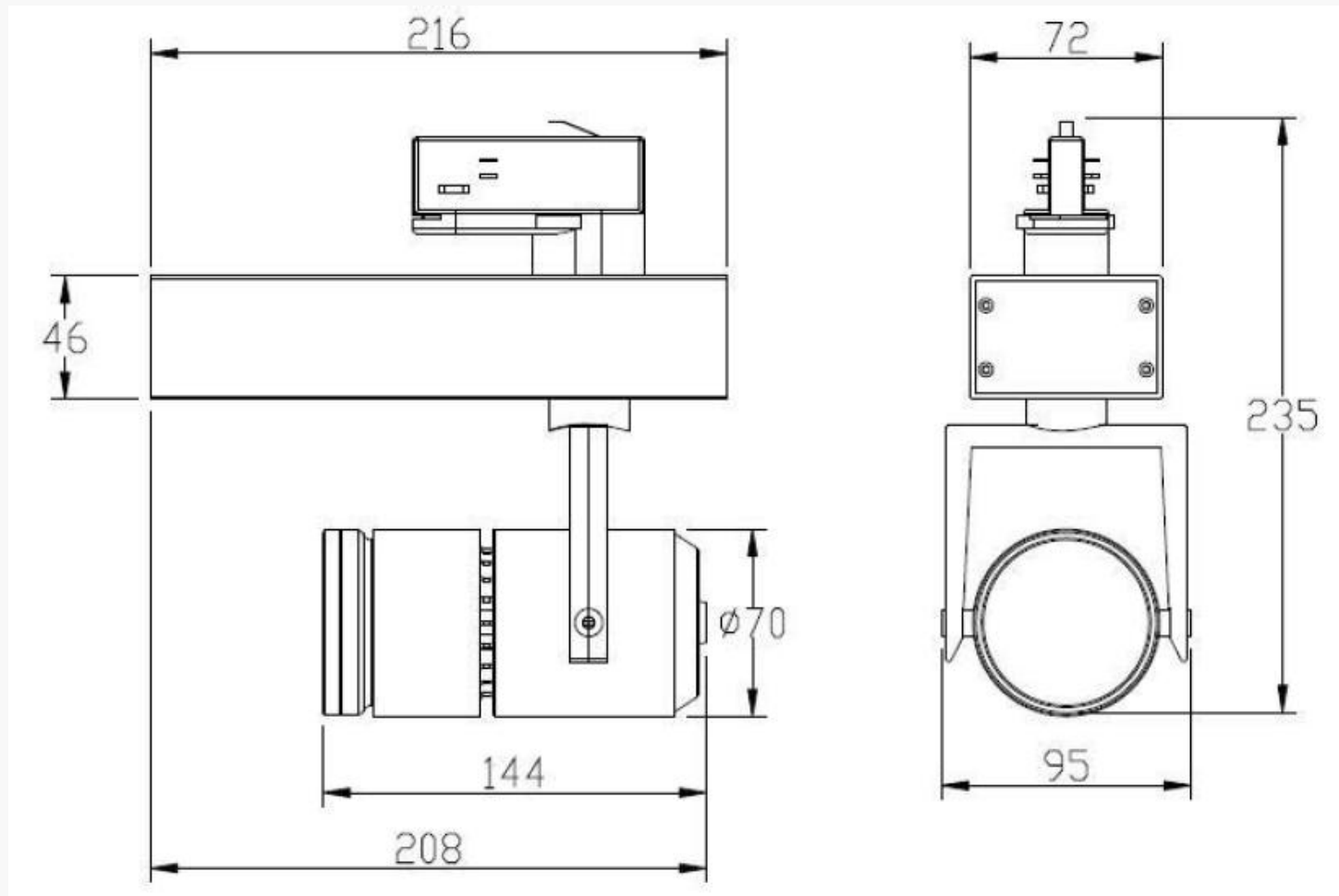
Beam angle changeable LED track light

10-15W dimensions drawing



Beam angle changeable LED track light

20-25W dimensions drawing





The End

Thank you

**Add: 3F Bldg3, Landwind Industrial Zone, Tangtou Avenue,
Shiyan Town, Bao'an District, Shenzhen, China. 518108**

Tel: 0086-755-29681895

Web: www.ledxh.cn

Fax: 0086-755-29681896

Email: support@ledxh.cn