



ELVAN

Xinghuo LED Tech Limited

LED Track Light (Reflector version)



Commercial Lighting Expert

Your Trustworthy LED lighting partner in China



ELVAN

Xinghuo LED Tech Limited

Wattage: 5-50W

Built in driver to 1/3 phase track adapter

ø90x155mm

20-30W



ø110x150mm

30-45W



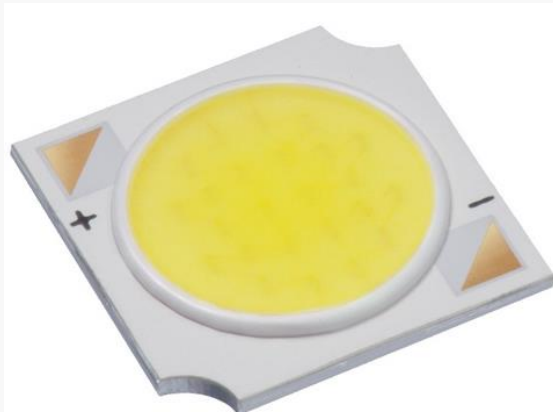


ELVAN

Xinghuo LED Tech Limited

What was the advantage?

1. Famous LED brand, LM80 approved



**LED Chip: Citizen CREE,
Bridgelux, Luminus, Tridonic,
Philips, Osram, Samsung etc**

High CRI: 80+, 90+, 97+

LED Lumen: 120-160lm/W

**CCT:2700K, 3000K, 3500K,
4000K, 5000K**

On BBL or B.BBL



What was the advantage?

Easy to get different lighting output

Full Color temperature: on BBL or B.BBL



Full CRI:



Dim to Warm:

1800-3000K, 2000-3000k





ELVAN

Xinghuo LED Tech Limited



What was the advantage?

Various Color output:

Meat

Bread

Fruit

**Tunable
white**

**Dim to
warm**

**RGB/
RGBW**



ELVAN

Xinghuo LED Tech Limited

What was the advantage?

2.Famous brand driver

TRIDONIC

OSRAM

PHILIPS

TCI LED
professional led applications

MW
MEAN WELL

BOKE



ELVAN

Xinghuo LED Tech Limited

What was the advantage?



Various dimmable solution:

DALI

TRIAC

0/1-10V

ZigBee

BLE

2.4G/RF



What was the advantage?

3. Body materials : Aluminum, better for heat dissipation



Body materials:

90x155mm, ADC12 Die cast aluminum,

110x150mm 6063 brushed aluminum alloy,

Finished color: powder coated

Matt white, Matt black, silver/grey etc

The length is flexible according to your requirements,

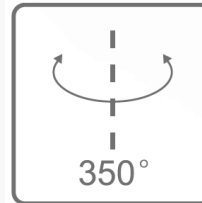


ELVAN

Xinghuo LED Tech Limited

Adjustable

350degree adjustable
horizontal



330degree adjustable
vertical





What was the advantage?

4. More choice for the optical, lens, relectors, reflects+lens



PC lens
15/24/38/60degree



Relector+lens
15/24/38/60 degree



Aluminum relector
20/30/60 degree
High efficiency>97%



Aluminum relector
15/24/38/60 degree



What was the advantage?

5.Full anti glare accessories



Snoot

Wall washer snoot

Barn doors

Honeycomb



ELVAN

Xinghuo LED Tech Limited



What was the advantage?

6.Full solution for track adapters

6 wire 3 phase



4 wire 3 phase





What was the advantage?

6.Full solution for track adapters

2 wire 1 phase



3 wire 1 phase



4 wire 1 phase





ELVAN

Xinghuo LED Tech Limited



What was the advantage?

7. Better connection between the driver box and light body

**Our connector is aluminum,
better to hold the light body,
And much smooth when
change the light body**



**Our connector is
Aluminum, other
factory take plastic**



Size 2: 90x155mm



Body materials: 6063 brushed aluminum
 LED brand: Citizen, Bridgelux, Cree, Samsung
 Intrack adapter: Osram, Tridonic, Global, KGP
 Philips, VS, Powergear etc
 CCT: 2700K, 3000K, 3500K, 4000K, 5000K
 CRI: 80+, 90+, 95+, 97+
 Beam angle: 15/24/38/60°
 Lumen output: 80-150lm/W
 Track adapter : 1/3 phase

Product No.	Wattage	Current	Voltage	Size
XH-TL-20W-C	20W	500mA	AC200-240V	90X155mm
XH-TL-25W-C	25W	600mA	AC200-240V	90X155mm
XH-TL-30W-C	30W	700/750mA	AC200-240V	90X155mm



Size 3: 110x150mm



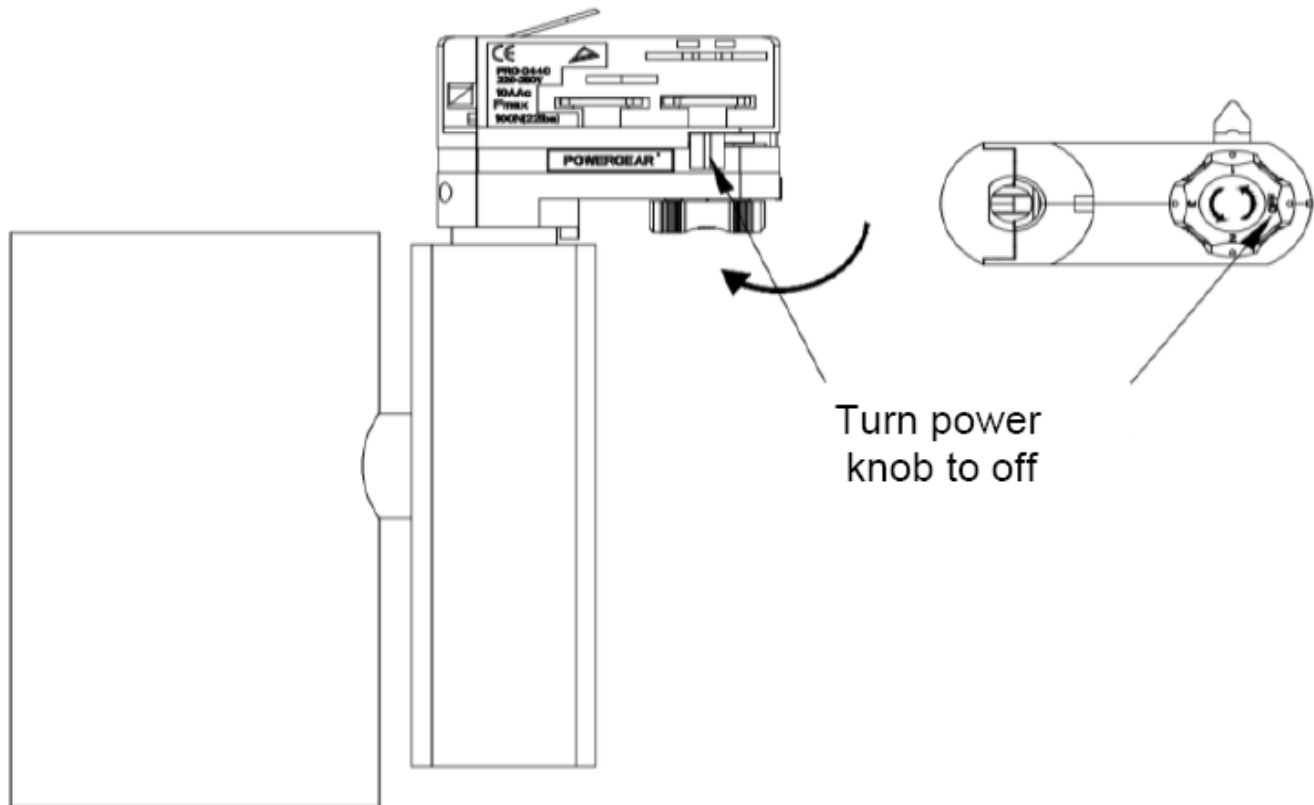
Body materials: 6063 brushed aluminum
 LED brand: Citizen, Bridgelux, Cree, Samsung
 Intrack adapter: Osram, Tridonic, Global, KGP
 Philips, VS, Powergear etc
 CCT: 2700K, 3000K, 3500K, 4000K, 5000K
 CRI: 80+, 90+, 95+, 97+
 Beam angle: 15/24/38/60°
 Lumen output: 80-150lm/W
 Track adapter : 1/3 phase

Product No.	Wattage	Current	Voltage	Size
XH-TL-35W-C	35W	800mA	AC200-240V	110X150mm
XH-TL-40W-C	40W	950mA	AC200-240V	110X150mm
XH-TL-45W-C	45W	1050mA	AC200-240V	110X150mm



Installation instruction:

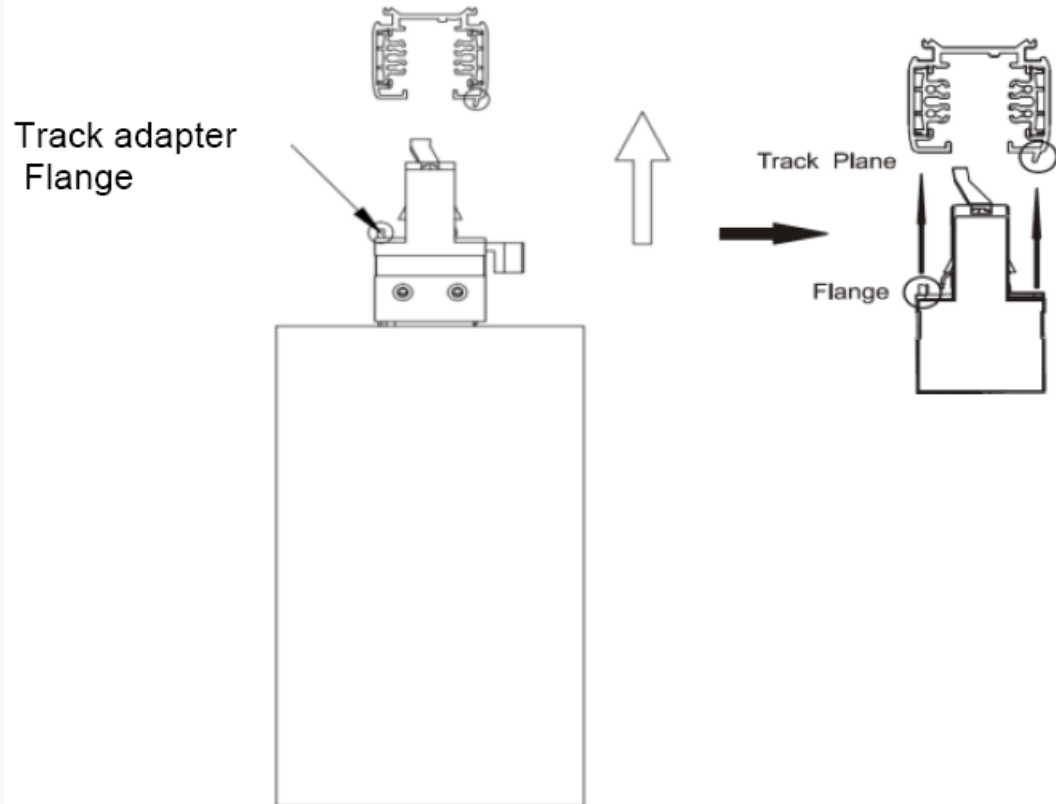
1. Make the power knob to off





Installation instruction:

2. Make sure the track adapter flange is in the same track plane
Then put the track adapter into the track



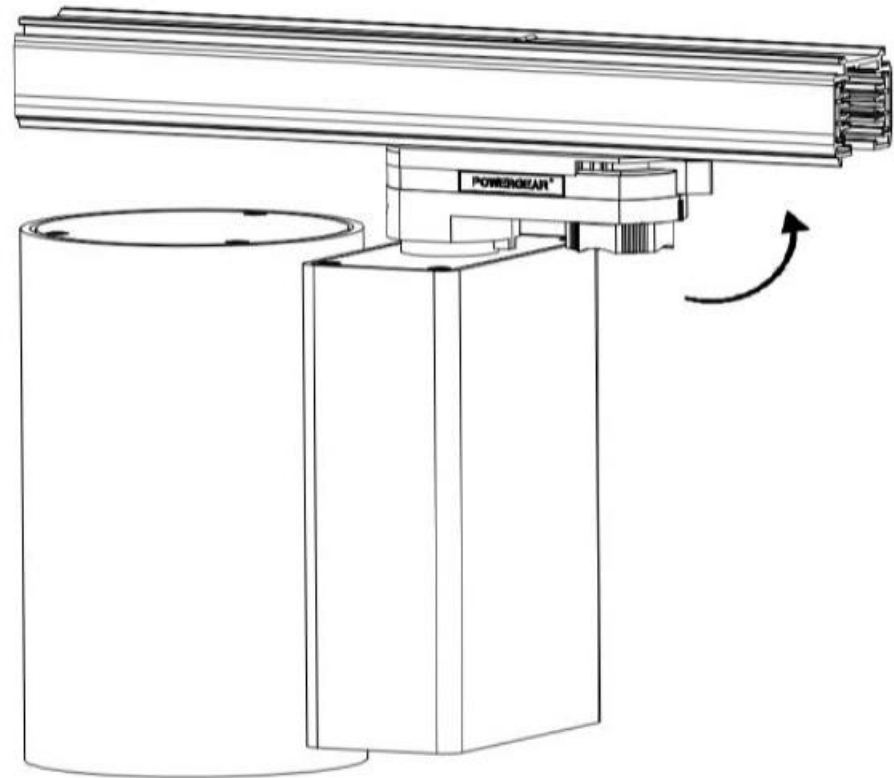


ELVAN

Xinghuo LED Tech Limited

Installation instruction:

3. Revolve the hand grip to off position



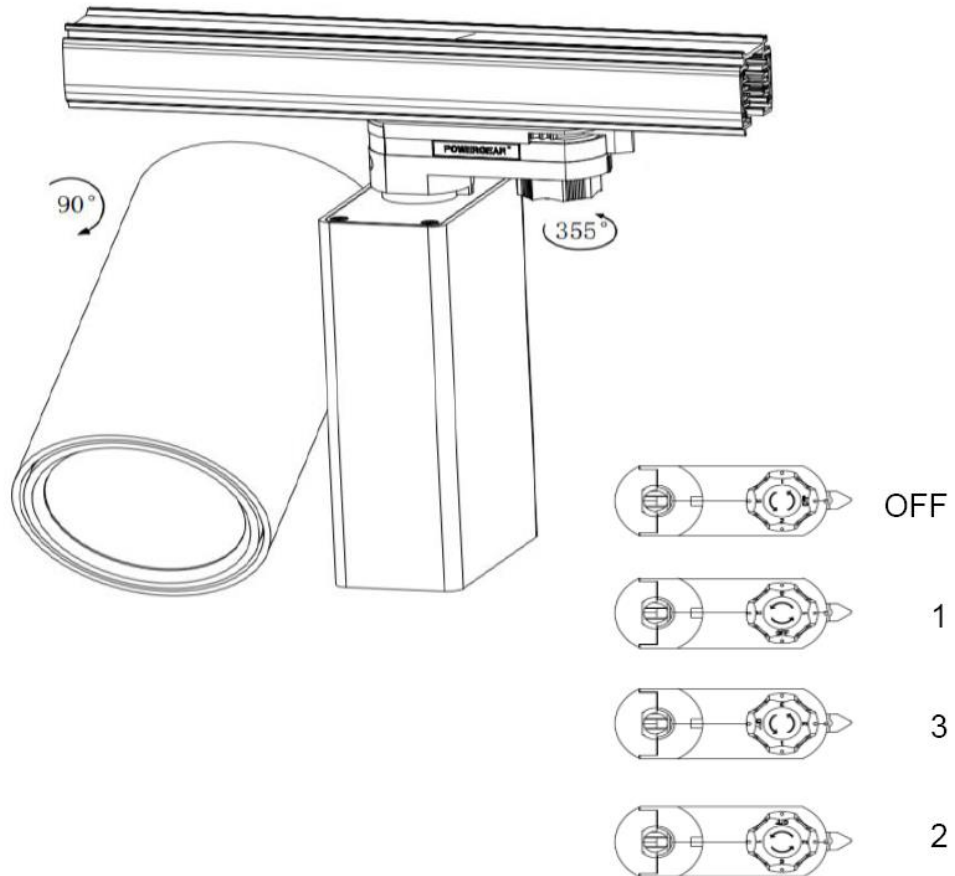


ELVAN

Xinghuo LED Tech Limited

Installation instruction:

4. Turn the power knob to choose phase 1-3-2, then finish



Application

- Ideal for retail lighting, shops etc.





ELVAN

Xinghuo LED Tech Limited



The End

Thank you

Welcome to visit our factory

**Add: 4F Bldg4,Hongfajiateli High-Tech Industrial Zone,Tangtou Avenue,
Shiyan Town, Bao'an District, Shenzhen, China. 518108**

Tel: 0086-755-29681895

Fax: 0086-755-29681896

Web: www.szshoplight.com

Email: support@ledxh.cn