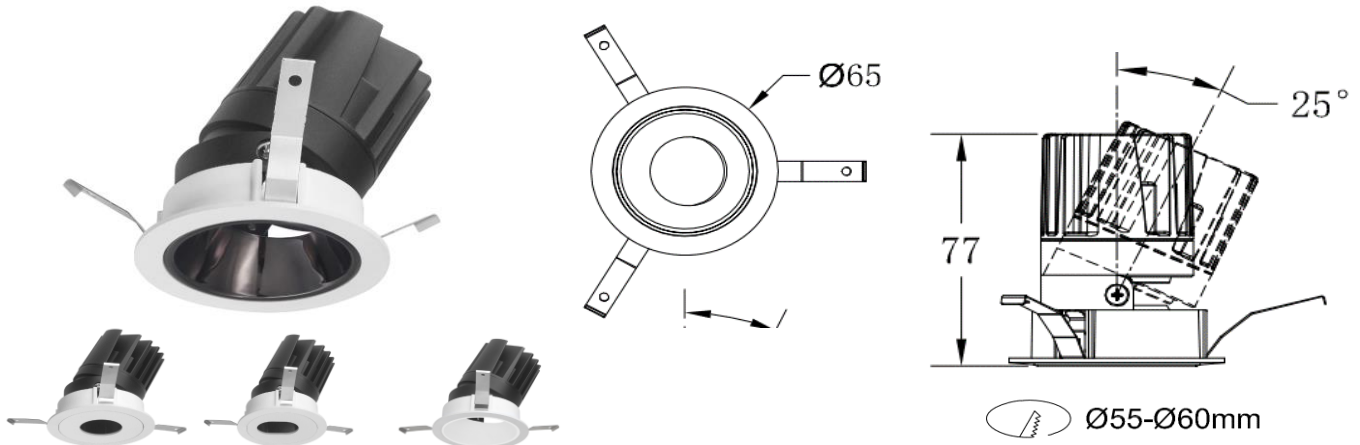


D65 Hotel LED downlight



Technical Data

General

Ceiling
Wall wash downlight
Matt White, Matt black
External driver
IP grade: IP40
Aluminum reflector +Lens
Beam angle:15/24/36/60°

LED

<u>2700K/3000K/4000K/5000K</u>
<u>CRI80+/90+/97+</u>
<u>L90/50000h</u>
<u>Initial<3 MacAdam</u>
<u>LED lumen>140lm/W</u>
<u>SDCM<3</u>
<u>On BBL, B.BBL</u>

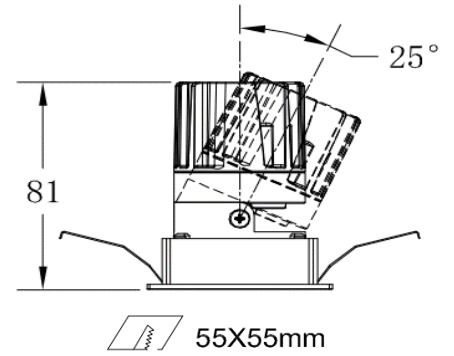
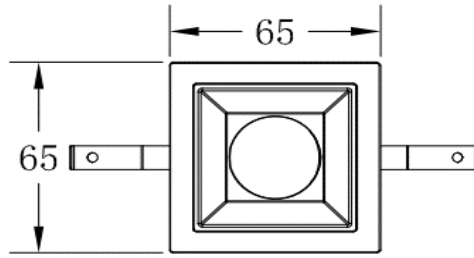
Electrical

<u>Input:AC200-240V</u>
<u>Frequency:50/60Hz</u>
<u>LED voltage:DC36V</u>
<u>Current: 150mA,200mA</u>
<u>Wattage:6W, 8W</u>
<u>DALI/TRIAC/0/1-10V,ZigBee</u>
<u>Lumen output:50-100lm/W</u>

Product List: XH-DL-OR-XX (XX: 6W,8W)

Product No.	Wattage	CCT	CRI	Lm/W	lumen	
XH-DL-OR-6W-2R-827	6W	2700K	80	70lm/W	420 lm	
XH-DL-OR-6W-2R-830	6W	3000K	80	75lm/W	450 lm	
XH-DL-OR-6W-2R-840	6W	4000K	80	80lm/W	480 lm	
XH-DL-OR-6W-2R-850	6W	5000K	80	80lm/W	480 lm	
XH-DL-OR-6W-2R-927	6W	2700K	90	50lm/W	300 lm	
XH-DL-OR-6W-2R-930	6W	3000K	90	55lm/W	330 lm	
XH-DL-OR-6W-2R-935	6W	3500K	90	60lm/W	360 lm	
XH-DL-OR-6W-2R-940	6W	4000K	90	65lm/W	390 lm	
XH-DL-OR-6W-2R-950	6W	5000K	90	65lm/W	390 lm	
XH-DL-OR-6W-2R-DTW	6W	DTW	90	60lm/W	360 lm	
XH-DL-OR-6W-2R-TW	6W	TW	90	60lm/W	360 lm	
XH-DL-OR-8W-2R-827	8W	2700K	80	70lm/W	560 lm	
XH-DL-OR-8W-2R-830	8W	3000K	80	75lm/W	600 lm	
XH-DL-OR-8W-2R-840	8W	4000K	80	80lm/W	640 lm	
XH-DL-OR-8W-2R-850	8W	5000K	80	90lm/W	640 lm	
XH-DL-OR-8W-2R-927	8W	2700K	90	50lm/W	400 lm	
XH-DL-OR-8W-2R-930	8W	3000K	90	55lm/W	440 lm	
XH-DL-OR-8W-2R-935	8W	3500K	90	60lm/W	480 lm	
XH-DL-OR-8W-2R-940	8W	4000K	90	65lm/W	520 lm	
XH-DL-OR-8W-2R-950	8W	5000K	90	65lm/W	520 lm	
XH-DL-OR-8W-2R-DTW	8W	DTW	90	60lm/W	480 lm	DTW: dim to warm
XH-DL-OR-8W-2R-TW	8W	TW	90	60lm/W	480 lm	TW: Tunable white

D65 square Hotel LED downlight



Technical Data

General

- Ceiling
- Wall wash downlight
- Matt White, Matt black
- External driver
- IP grade: IP40
- Aluminum reflector +Lens
- Beam angle:15/24/36/60°

LED

- 2700K/3000K/4000K/5000K
- CRI80+/90+/97+
- L90/50000h
- Initial<3 MacAdam
- LED lumen>140lm/W
- SDCM<3
- On BBL, B.BBL

Electrical

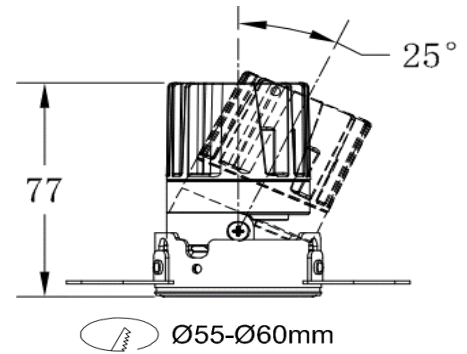
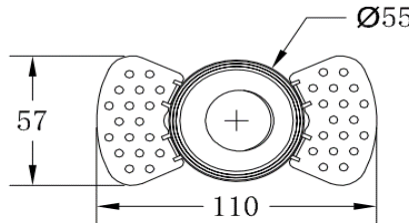
- Input:AC200-240V
- Frequency:50/60Hz
- LED voltage:DC36V
- Current: 150mA,200mA
- Wattage:6W, 8W
- DALI/TRIAC/0/1-10V,ZigBee
- Lumen output:50-100lm/W

Product List: XH-DL-OR-XX (XX: 6W,8W)

Product No.	Wattage	CCT	CRI	Lm/W	lumen
XH-DL-OR-6W-2S-827	6W	2700K	80	70lm/W	420 lm
XH-DL-OR-6W-2S-830	6W	3000K	80	75lm/W	450 lm
XH-DL-OR-6W-2S-840	6W	4000K	80	80lm/W	480 lm
XH-DL-OR-6W-2S-850	6W	5000K	80	80lm/W	480 lm
XH-DL-OR-6W-2S-927	6W	2700K	90	50lm/W	300 lm
XH-DL-OR-6W-2S-930	6W	3000K	90	55lm/W	330 lm
XH-DL-OR-6W-2S-935	6W	3500K	90	60lm/W	360 lm
XH-DL-OR-6W-2S-940	6W	4000K	90	65lm/W	390 lm
XH-DL-OR-6W-2S-950	6W	5000K	90	65lm/W	390 lm
XH-DL-OR-6W-2S-DTW	6W	DTW	90	60lm/W	360 lm
XH-DL-OR-6W-2S-TW	6W	TW	90	60lm/W	360 lm
XH-DL-OR-8W-2S-827	8W	2700K	80	70lm/W	560 lm
XH-DL-OR-8W-2S-830	8W	3000K	80	75lm/W	600 lm
XH-DL-OR-8W-2S-840	8W	4000K	80	80lm/W	640 lm
XH-DL-OR-8W-2S-850	8W	5000K	80	90lm/W	640 lm
XH-DL-OR-8W-2S-927	8W	2700K	90	50lm/W	400 lm
XH-DL-OR-8W-2S-930	8W	3000K	90	55lm/W	440 lm
XH-DL-OR-8W-2S-935	8W	3500K	90	60lm/W	480 lm
XH-DL-OR-8W-2S-940	8W	4000K	90	65lm/W	520 lm
XH-DL-OR-8W-2S-950	8W	5000K	90	65lm/W	520 lm
XH-DL-OR-8W-2S-DTW	8W	DTW	90	60lm/W	480 lm
XH-DL-OR-8W-2S-TW	8W	TW	90	60lm/W	480 lm

DTW: dim to warm
TW: Tunable white

D65 Round Trimless Hotel LED downlight



Technical Data

General

Ceiling
Wall wash downlight
Matt White, Matt black
External driver
IP grade: IP40
Aluminum reflector +Lens
Beam angle:15/24/36/60°

LED

<u>2700K/3000K/4000K/5000K</u>
<u>CRI80+/90+/97+</u>
<u>L90/50000h</u>
<u>Initial<3 MacAdam</u>
<u>LED lumen>140lm/W</u>
<u>SDCM<3</u>
<u>On BBL, B.BBL</u>

Electrical

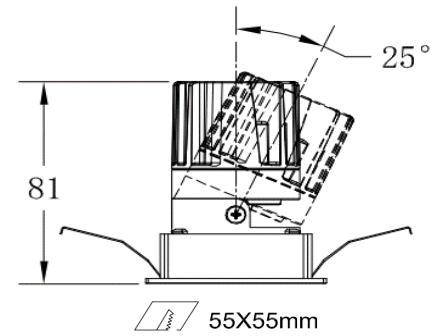
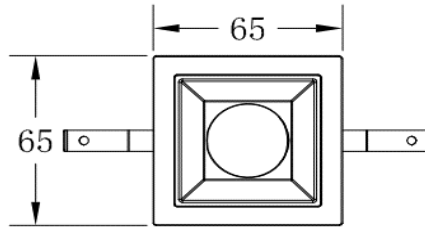
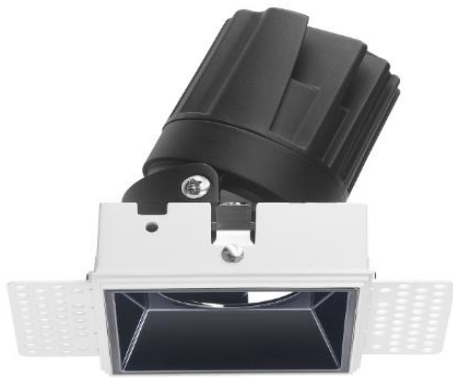
<u>Input:AC200-240V</u>
<u>Frequency:50/60Hz</u>
<u>LED voltage:DC36V</u>
<u>Current: 150mA,200mA</u>
<u>Wattage:6W, 8W</u>
<u>DALI/TRIAC/0/1-10V,ZigBee</u>
<u>Lumen output:50-100lm/W</u>

Product List: XH-DL-OR-XX (XX: 6W,8W)

Product No.	Wattage	CCT	CRI	Lm/W	lumen
XH-DL-OR-6W-2RT-827	6W	2700K	80	70lm/W	420 lm
XH-DL-OR-6W-2RT-830	6W	3000K	80	75lm/W	450 lm
XH-DL-OR-6W-2RT-840	6W	4000K	80	80lm/W	480 lm
XH-DL-OR-6W-2RT-850	6W	5000K	80	80lm/W	480 lm
XH-DL-OR-6W-2RT-927	6W	2700K	90	50lm/W	300 lm
XH-DL-OR-6W-2RT-930	6W	3000K	90	55lm/W	330 lm
XH-DL-OR-6W-2RT-935	6W	3500K	90	60lm/W	360 lm
XH-DL-OR-6W-2RT-940	6W	4000K	90	65lm/W	390 lm
XH-DL-OR-6W-2RT-950	6W	5000K	90	65lm/W	390 lm
XH-DL-OR-6W-2RT-DTW	6W	DTW	90	60lm/W	360 lm
XH-DL-OR-6W-2RT-TW	6W	TW	90	60lm/W	360 lm
XH-DL-OR-8W-2RT-827	8W	2700K	80	70lm/W	560 lm
XH-DL-OR-8W-2RT-830	8W	3000K	80	75lm/W	600 lm
XH-DL-OR-8W-2RT-840	8W	4000K	80	80lm/W	640 lm
XH-DL-OR-8W-2RT-850	8W	5000K	80	90lm/W	640 lm
XH-DL-OR-8W-2RT-927	8W	2700K	90	50lm/W	400 lm
XH-DL-OR-8W-2RT-930	8W	3000K	90	55lm/W	440 lm
XH-DL-OR-8W-2RT-935	8W	3500K	90	60lm/W	480 lm
XH-DL-OR-8W-2RT-940	8W	4000K	90	65lm/W	520 lm
XH-DL-OR-8W-2RT-950	8W	5000K	90	65lm/W	520 lm
XH-DL-OR-8W-2RT-DTW	8W	DTW	90	60lm/W	480 lm
XH-DL-OR-8W-2RT-TW	8W	TW	90	60lm/W	480 lm

DTW: dim to warm
TW: Tunable white

D65 Square Trimless Hotel LED downlight



Technical Data

General

- Ceiling
- Wall wash downlight
- Matt White, Matt black
- External driver
- IP grade: IP40
- Aluminum reflector +Lens
- Beam angle:15/24/36/60°

LED

- 2700K/3000K/4000K/5000K
- CRI80+/90+/97+
- L90/50000h
- Initial<3 MacAdam
- LED lumen>140lm/W
- SDCM<3
- On BBL, B.BBL

Electrical

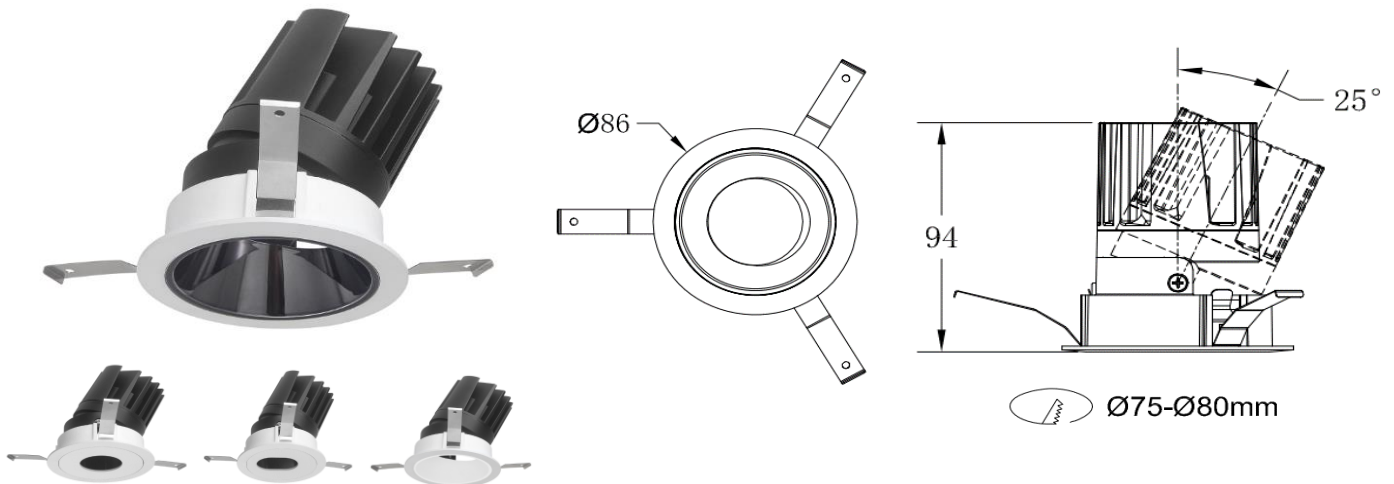
- Input:AC200-240V
- Frequency:50/60Hz
- LED voltage:DC36V
- Current: 150mA,200mA
- Wattage:6W, 8W
- DALI/TRIAC/0/1-10V,ZigBee
- Lumen output:50-100lm/W

Product List: XH-DL-OR-XX (XX: 6W,8W)

Product No.	Wattage	CCT	CRI	Lm/W	lumen
XH-DL-OR-6W-2ST-827	6W	2700K	80	70lm/W	420 lm
XH-DL-OR-6W-2ST-830	6W	3000K	80	75lm/W	450 lm
XH-DL-OR-6W-2ST-840	6W	4000K	80	80lm/W	480 lm
XH-DL-OR-6W-2ST-850	6W	5000K	80	80lm/W	480 lm
XH-DL-OR-6W-2ST-927	6W	2700K	90	50lm/W	300 lm
XH-DL-OR-6W-2ST-930	6W	3000K	90	55lm/W	330 lm
XH-DL-OR-6W-2ST-935	6W	3500K	90	60lm/W	360 lm
XH-DL-OR-6W-2ST-940	6W	4000K	90	65lm/W	390 lm
XH-DL-OR-6W-2ST-950	6W	5000K	90	65lm/W	390 lm
XH-DL-OR-6W-2ST-DTW	6W	DTW	90	60lm/W	360 lm
XH-DL-OR-6W-2ST-TW	6W	TW	90	60lm/W	360 lm
XH-DL-OR-8W-2ST-827	8W	2700K	80	70lm/W	560 lm
XH-DL-OR-8W-2ST-830	8W	3000K	80	75lm/W	600 lm
XH-DL-OR-8W-2ST-840	8W	4000K	80	80lm/W	640 lm
XH-DL-OR-8W-2ST-850	8W	5000K	80	90lm/W	640 lm
XH-DL-OR-8W-2ST-927	8W	2700K	90	50lm/W	400 lm
XH-DL-OR-8W-2ST-930	8W	3000K	90	55lm/W	440 lm
XH-DL-OR-8W-2ST-935	8W	3500K	90	60lm/W	480 lm
XH-DL-OR-8W-2ST-940	8W	4000K	90	65lm/W	520 lm
XH-DL-OR-8W-2ST-950	8W	5000K	90	65lm/W	520 lm
XH-DL-OR-8W-2ST-DTW	8W	DTW	90	60lm/W	480 lm
XH-DL-OR-8W-2ST-TW	8W	TW	90	60lm/W	480 lm

DTW: dim to warm
TW: Tunable white

D86 Hotel LED downlight



Technical Data

General

- Ceiling
- Wall wash downlight
- Matt White, Matt black
- External driver
- IP grade: IP40
- Aluminum reflector +Lens
- Beam angle:15/24/36/60°

LED

- 2700K/3000K/4000K/5000K
- CRI80+/90+/97+
- L90/50000h
- Initial<3 MacAdam
- LED lumen>140lm/W
- SDCM<3
- On BBL, B.BBL

Electrical

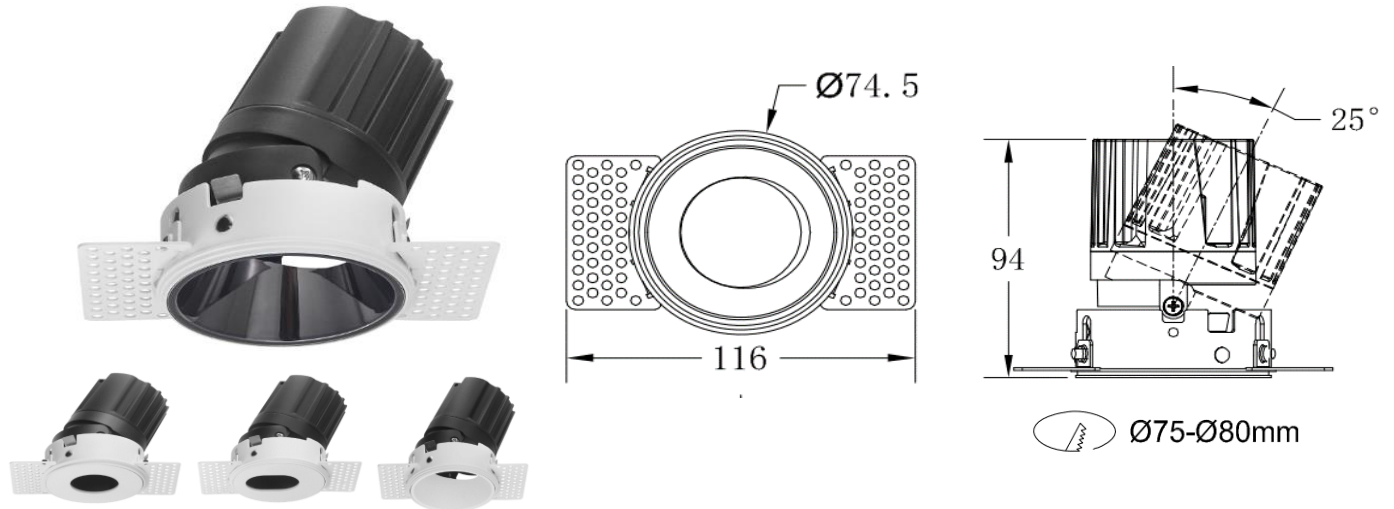
- Input:AC200-240V
- Frequency:50/60Hz
- LED voltage:DC36V
- Current: 250mA,300mA
- Wattage:10W, 12W
- DALI/TRIAC/0/1-10V,ZigBee
- Lumen output:50-100lm/W

Product List: XH-DL-OR-XX (XX: 10W,12W)

Product No.	Wattage	CCT	CRI	Lm/W	lumen
XH-DL-OR-10W-3R-827	10W	2700K	80	70lm/W	700 lm
XH-DL-OR-10W-3R-830	10W	3000K	80	75lm/W	750 lm
XH-DL-OR-10W-3R-840	10W	4000K	80	80lm/W	800 lm
XH-DL-OR-10W-3R-850	10W	5000K	80	80lm/W	800 lm
XH-DL-OR-10W-3R-927	10W	2700K	90	50lm/W	500 lm
XH-DL-OR-10W-3R-930	10W	3000K	90	55lm/W	550 lm
XH-DL-OR-10W-3R-935	10W	3500K	90	60lm/W	600 lm
XH-DL-OR-10W-3R-940	10W	4000K	90	65lm/W	650 lm
XH-DL-OR-10W-3R-950	10W	5000K	90	65lm/W	650 lm
XH-DL-OR-10W-3R-DTW	10W	DTW	90	60lm/W	600 lm
XH-DL-OR-10W-3R-TW	10W	TW	90	60lm/W	600 lm
XH-DL-OR-12W-3R-827	12W	2700K	80	70lm/W	840 lm
XH-DL-OR-12W-3R-830	12W	3000K	80	75lm/W	900 lm
XH-DL-OR-12W-3R-840	12W	4000K	80	80lm/W	960 lm
XH-DL-OR-12W-3R-850	12W	5000K	80	90lm/W	960 lm
XH-DL-OR-12W-3R-927	12W	2700K	90	50lm/W	600 lm
XH-DL-OR-12W-3R-930	12W	3000K	90	55lm/W	660 lm
XH-DL-OR-12W-3R-935	12W	3500K	90	60lm/W	720 lm
XH-DL-OR-12W-3R-940	12W	4000K	90	65lm/W	780 lm
XH-DL-OR-12W-3R-950	12W	5000K	90	65lm/W	780 lm
XH-DL-OR-12W-3R-DTW	12W	DTW	90	60lm/W	720 lm
XH-DL-OR-12W-3R-TW	12W	TW	90	60lm/W	720 lm

DTW: dim to warm
TW: Tunable white

D75 Round Trimless Hotel LED downlight



Technical Data

General

Ceiling
 Wall wash downlight
 Matt White, Matt black
 External driver
 IP grade: IP40
 Aluminum reflector +Lens
 Beam angle:15/24/36/60°

LED

2700K/3000K/4000K/5000K
CRI80+/90+/97+
L90/50000h
Initial<3 MacAdam
LED lumen>140lm/W
SDCM<3
On BBL, B.BBL

Electrical

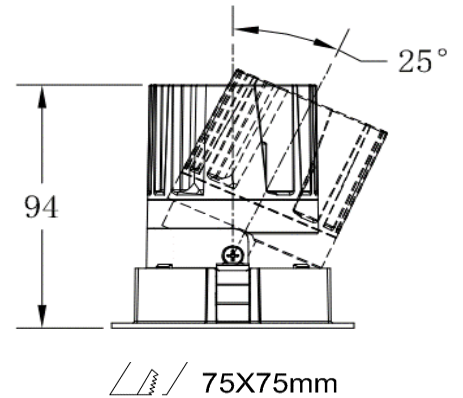
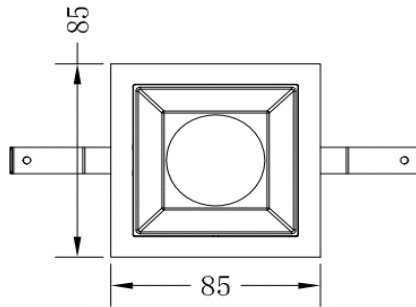
Input:AC200-240V
Frequency:50/60Hz
LED voltage:DC36V
Current: 250mA,300mA
Wattage:10W, 12W
DALI/TRIAC/0/1-10V,ZigBee
Lumen output:50-100lm/W

Product List: XH-DL-OR-XX (XX: 10W,12W)

Product No.	Wattage	CCT	CRI	Lm/W	lumen
XH-DL-OR-10W-3RT-827	10W	2700K	80	70lm/W	700 lm
XH-DL-OR-10W-3RT-830	10W	3000K	80	75lm/W	750 lm
XH-DL-OR-10W-3RT-840	10W	4000K	80	80lm/W	800 lm
XH-DL-OR-10W-3RT-850	10W	5000K	80	80lm/W	800 lm
XH-DL-OR-10W-3RT-927	10W	2700K	90	50lm/W	500 lm
XH-DL-OR-10W-3RT-930	10W	3000K	90	55lm/W	550 lm
XH-DL-OR-10W-3RT-935	10W	3500K	90	60lm/W	600 lm
XH-DL-OR-10W-3RT-940	10W	4000K	90	65lm/W	650 lm
XH-DL-OR-10W-3RT-950	10W	5000K	90	65lm/W	650 lm
XH-DL-OR-10W-3RT-DTW	10W	DTW	90	60lm/W	600 lm
XH-DL-OR-10W-3RT-TW	10W	TW	90	60lm/W	600 lm
XH-DL-OR-12W-3RT-827	12W	2700K	80	70lm/W	840 lm
XH-DL-OR-12W-3RT-830	12W	3000K	80	75lm/W	900 lm
XH-DL-OR-12W-3RT-840	12W	4000K	80	80lm/W	960 lm
XH-DL-OR-12W-3RT-850	12W	5000K	80	90lm/W	960 lm
XH-DL-OR-12W-3RT-927	12W	2700K	90	50lm/W	600 lm
XH-DL-OR-12W-3RT-930	12W	3000K	90	55lm/W	660 lm
XH-DL-OR-12W-3RT-935	12W	3500K	90	60lm/W	720 lm
XH-DL-OR-12W-3RT-940	12W	4000K	90	65lm/W	780 lm
XH-DL-OR-12W-3RT-950	12W	5000K	90	65lm/W	780 lm
XH-DL-OR-12W-3RT-DTW	12W	DTW	90	60lm/W	720 lm
XH-DL-OR-12W-3RT-TW	12W	TW	90	60lm/W	720 lm

DTW: dim to warm
 TW: Tunable white

D85 Square Hotel LED downlight



Technical Data

General

- Ceiling
- Wall wash downlight
- Matt White, Matt black
- External driver
- IP grade: IP40
- Aluminum reflector +Lens
- Beam angle:15/24/36/60°

LED

- 2700K/3000K/4000K/5000K
- CRI80+/90+/97+
- L90/50000h
- Initial<3 MacAdam
- LED lumen>140lm/W
- SDCM<3
- On BBL, B.BBL

Electrical

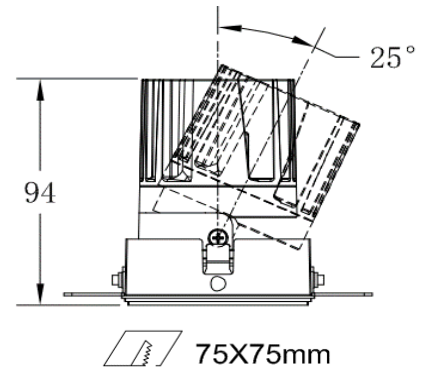
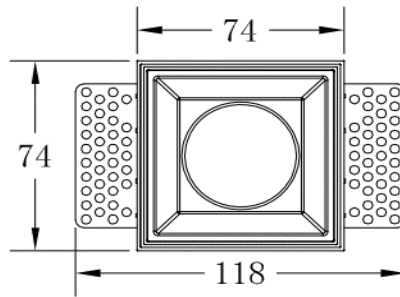
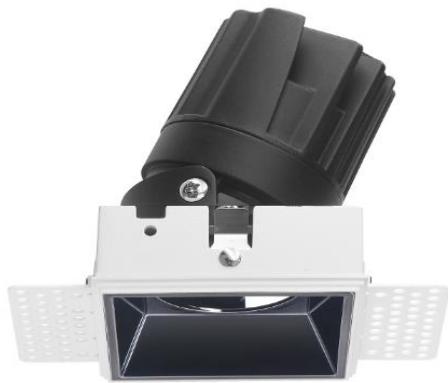
- Input:AC200-240V
- Frequency:50/60Hz
- LED voltage:DC36V
- Current: 250mA,300mA
- Wattage:10W, 12W
- DALI/TRIAC/0/1-10V,ZigBee
- Lumen output:50-100lm/W

Product List: XH-DL-OR-XX (XX: 10W,12W)

Product No.	Wattage	CCT	CRI	Lm/W	lumen
XH-DL-OR-10W-3S-827	10W	2700K	80	70lm/W	700 lm
XH-DL-OR-10W-3S-830	10W	3000K	80	75lm/W	750 lm
XH-DL-OR-10W-3S-840	10W	4000K	80	80lm/W	800 lm
XH-DL-OR-10W-3S-850	10W	5000K	80	80lm/W	800 lm
XH-DL-OR-10W-3S-927	10W	2700K	90	50lm/W	500 lm
XH-DL-OR-10W-3S-930	10W	3000K	90	55lm/W	550 lm
XH-DL-OR-10W-3S-935	10W	3500K	90	60lm/W	600 lm
XH-DL-OR-10W-3S-940	10W	4000K	90	65lm/W	650 lm
XH-DL-OR-10W-3S-950	10W	5000K	90	65lm/W	650 lm
XH-DL-OR-10W-3S-DTW	10W	DTW	90	60lm/W	600 lm
XH-DL-OR-10W-3S-TW	10W	TW	90	60lm/W	600 lm
XH-DL-OR-12W-3S-827	12W	2700K	80	70lm/W	840 lm
XH-DL-OR-12W-3S-830	12W	3000K	80	75lm/W	900 lm
XH-DL-OR-12W-3S-840	12W	4000K	80	80lm/W	960 lm
XH-DL-OR-12W-3S-850	12W	5000K	80	90lm/W	960 lm
XH-DL-OR-12W-3S-927	12W	2700K	90	50lm/W	600 lm
XH-DL-OR-12W-3S-930	12W	3000K	90	55lm/W	660 lm
XH-DL-OR-12W-3S-935	12W	3500K	90	60lm/W	720 lm
XH-DL-OR-12W-3S-940	12W	4000K	90	65lm/W	780 lm
XH-DL-OR-12W-3S-950	12W	5000K	90	65lm/W	780 lm
XH-DL-OR-12W-3S-DTW	12W	DTW	90	60lm/W	720 lm
XH-DL-OR-12W-3S-TW	12W	TW	90	60lm/W	720 lm

DTW: dim to warm
TW: Tunable white

D75 Square Trimless Hotel LED downlight



Technical Data

General

- Ceiling
- Wall wash downlight
- Matt White, Matt black
- External driver
- IP grade: IP40
- Aluminum reflector +Lens
- Beam angle:15/24/36/60°

LED

- 2700K/3000K/4000K/5000K
- CRI80+/90+/97+
- L90/50000h
- Initial<3 MacAdam
- LED lumen>140lm/W
- SDCM<3
- On BBL, B.BBL

Electrical

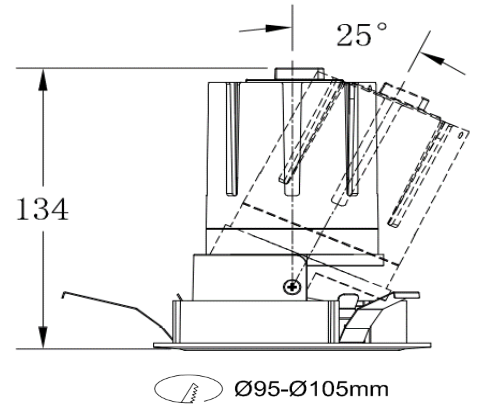
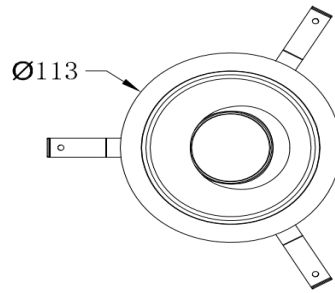
- Input:AC200-240V
- Frequency:50/60Hz
- LED voltage:DC36V
- Current: 250mA,300mA
- Wattage:10W, 12W
- DALI/TRIAC/0/1-10V,ZigBee
- Lumen output:50-100lm/W

Product List: XH-DL-OR-XX (XX: 10W,12W)

Product No.	Wattage	CCT	CRI	lm/W	lumen
XH-DL-OR-10W-3ST-827	10W	2700K	80	70lm/W	700 lm
XH-DL-OR-10W-3ST-830	10W	3000K	80	75lm/W	750 lm
XH-DL-OR-10W-3ST-840	10W	4000K	80	80lm/W	800 lm
XH-DL-OR-10W-3ST-850	10W	5000K	80	80lm/W	800 lm
XH-DL-OR-10W-3ST-927	10W	2700K	90	50lm/W	500 lm
XH-DL-OR-10W-3ST-930	10W	3000K	90	55lm/W	550 lm
XH-DL-OR-10W-3ST-935	10W	3500K	90	60lm/W	600 lm
XH-DL-OR-10W-3ST-940	10W	4000K	90	65lm/W	650 lm
XH-DL-OR-10W-3ST-950	10W	5000K	90	65lm/W	650 lm
XH-DL-OR-10W-3ST-DTW	10W	DTW	90	60lm/W	600 lm
XH-DL-OR-10W-3ST-TW	10W	TW	90	60lm/W	600 lm
XH-DL-OR-12W-3ST-827	12W	2700K	80	70lm/W	840 lm
XH-DL-OR-12W-3ST-830	12W	3000K	80	75lm/W	900 lm
XH-DL-OR-12W-3ST-840	12W	4000K	80	80lm/W	960 lm
XH-DL-OR-12W-3ST-850	12W	5000K	80	90lm/W	960 lm
XH-DL-OR-12W-3ST-927	12W	2700K	90	50lm/W	600 lm
XH-DL-OR-12W-3ST-930	12W	3000K	90	55lm/W	660 lm
XH-DL-OR-12W-3ST-935	12W	3500K	90	60lm/W	720 lm
XH-DL-OR-12W-3ST-940	12W	4000K	90	65lm/W	780 lm
XH-DL-OR-12W-3ST-950	12W	5000K	90	65lm/W	780 lm
XH-DL-OR-12W-3ST-DTW	12W	DTW	90	60lm/W	720 lm
XH-DL-OR-12W-3ST-TW	12W	TW	90	60lm/W	720 lm

DTW: dim to warm
TW: Tunable white

D113 Hotel LED downlight



Technical Data

General

Ceiling
 Wall wash downlight
 Matt White, Matt black
 External driver
 IP grade: IP40
 Aluminum reflector +Lens
 Beam angle:15/24/36/60°

LED

2700K/3000K/4000K/5000K
CRI80+/90+/97+
L90/50000h
Initial<3 MacAdam
LED lumen>140lm/W
SDCM<3
On BBL, B.BBL

Electrical

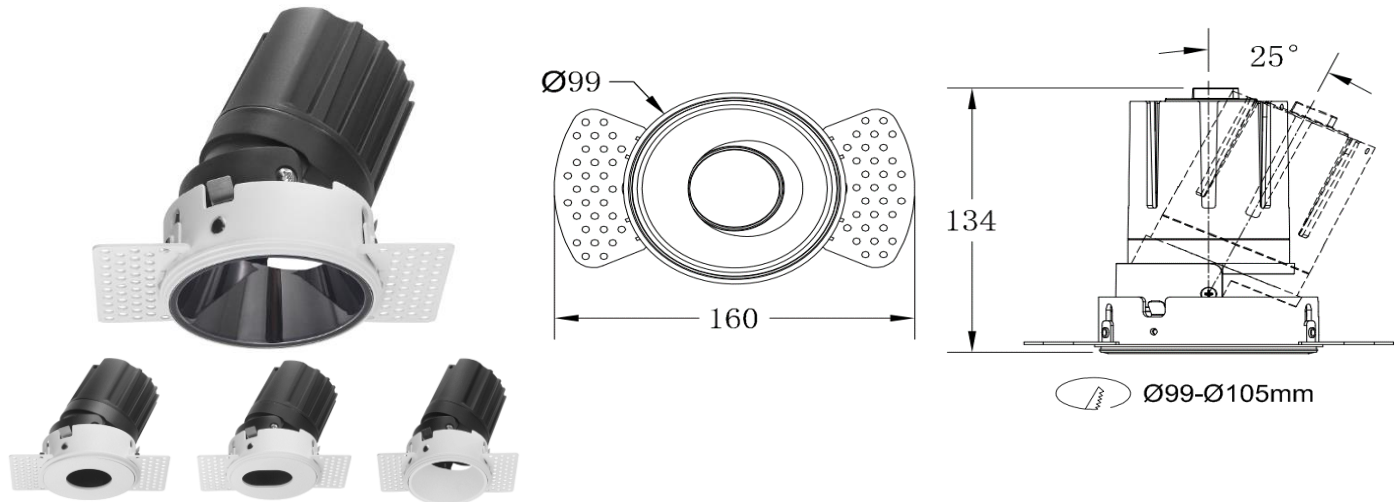
Input:AC200-240V
Frequency:50/60Hz
LED voltage:DC36V
Current: 350/500/600mA
Wattage:15W, 20W, 25W
DALI/TRIAC/0/1-10V,ZigBee
Lumen output:50-100lm/W

Product List: XH-DL-OR-XX (XX: 15W,20W,25W)

Product No.	Wattage	CCT	CRI	Lm/W	lumen
XH-DL-OR-15W-4R-827	15W	2700K	80	70lm/W	1050 lm
XH-DL-OR-15W-4R-830	15W	3000K	80	75lm/W	1125 lm
XH-DL-OR-15W-4R-840	15W	4000K	80	80lm/W	1200 lm
XH-DL-OR-15W-4R-850	15W	5000K	80	80lm/W	1200 lm
XH-DL-OR-15W-4R-927	15W	2700K	90	50lm/W	750 lm
XH-DL-OR-15W-4R-930	15W	3000K	90	55lm/W	825 lm
XH-DL-OR-15W-4R-935	15W	3500K	90	60lm/W	900 lm
XH-DL-OR-15W-4R-940	15W	4000K	90	65lm/W	975 lm
XH-DL-OR-15W-4R-950	15W	5000K	90	65lm/W	975 lm
XH-DL-OR-15W-4R-DTW	15W	DTW	90	60lm/W	900 lm
XH-DL-OR-15W-4R-TW	15W	TW	90	60lm/W	900 lm
XH-DL-OR-20W-4R-827	20W	2700K	80	70lm/W	1400 lm
XH-DL-OR-20W-4R-830	20W	3000K	80	75lm/W	1500 lm
XH-DL-OR-20W-4R-840	20W	4000K	80	80lm/W	1600 lm
XH-DL-OR-20W-4R-850	20W	5000K	80	90lm/W	1600 lm
XH-DL-OR-20W-4R-927	20W	2700K	90	50lm/W	1000 lm
XH-DL-OR-20W-4R-930	20W	3000K	90	55lm/W	1100 lm
XH-DL-OR-20W-4R-935	20W	3500K	90	60lm/W	1200 lm
XH-DL-OR-20W-4R-940	20W	4000K	90	65lm/W	1300 lm
XH-DL-OR-20W-4R-950	20W	5000K	90	65lm/W	1300 lm
XH-DL-OR-25W-4R-830	25W	3000K	80	75lm/W	1875 lm
XH-DL-OR-25W-4R-840	25W	4000K	80	80lm/W	2000 lm
XH-DL-OR-25W-4R-930	25W	5000K	90	55lm/W	1375 lm
XH-DL-OR-25W-4R-940	25W	4000K	90	65lm/W	1625 lm
XH-DL-OR-25W-4R-950	25W	5000K	90	65lm/W	1625 lm

DTW: dim to warm
TW: Tunable white

D99 Round Trimless Hotel LED downlight



Technical Data

General

- Ceiling
- Wall wash downlight
- Matt White, Matt black
- External driver
- IP grade: IP40
- Aluminum reflector +Lens
- Beam angle:15/24/36/60°

LED

- 2700K/3000K/4000K/5000K
- CRI80+/90+/97+
- L90/50000h
- Initial<3 MacAdam
- LED lumen>140lm/W
- SDCM<3
- On BBL, B.BBL

Electrical

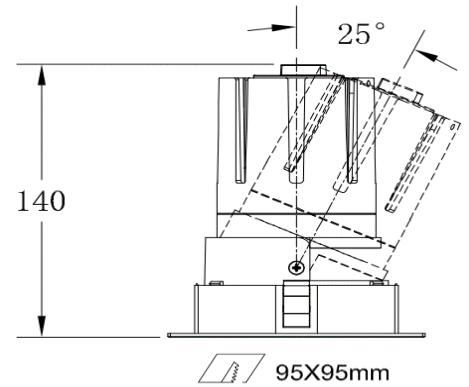
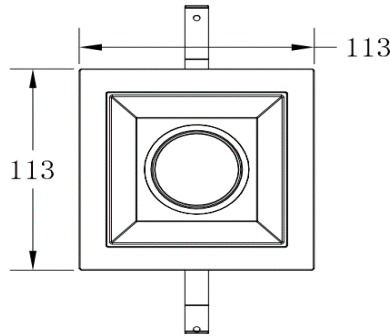
- Input:AC200-240V
- Frequency:50/60Hz
- LED voltage:DC36V
- Current: 350/500/600mA
- Wattage:15W, 20W,25W
- DALI/TRIAC/0/1-10V,ZigBee
- Lumen output:50-100lm/W

Product List: XH-DL-OR-XX (XX: 15W,20W,25W)

Product No.	Wattage	CCT	CRI	Lm/W	lumen
XH-DL-OR-15W-4RT-827	15W	2700K	80	70lm/W	1050 lm
XH-DL-OR-15W-4RT-830	15W	3000K	80	75lm/W	1125 lm
XH-DL-OR-15W-4RT-840	15W	4000K	80	80lm/W	1200 lm
XH-DL-OR-15W-4RT-850	15W	5000K	80	80lm/W	1200 lm
XH-DL-OR-15W-4RT-927	15W	2700K	90	50lm/W	750 lm
XH-DL-OR-15W-4RT-930	15W	3000K	90	55lm/W	825 lm
XH-DL-OR-15W-4RT-935	15W	3500K	90	60lm/W	900 lm
XH-DL-OR-15W-4RT-940	15W	4000K	90	65lm/W	975 lm
XH-DL-OR-15W-4RT-950	15W	5000K	90	65lm/W	975 lm
XH-DL-OR-15W-4RT-DTW	15W	DTW	90	60lm/W	900 lm
XH-DL-OR-15W-4RT-TW	15W	TW	90	60lm/W	900 lm
XH-DL-OR-20W-4RT-827	20W	2700K	80	70lm/W	1400 lm
XH-DL-OR-20W-4RT-830	20W	3000K	80	75lm/W	1500 lm
XH-DL-OR-20W-4RT-840	20W	4000K	80	80lm/W	1600 lm
XH-DL-OR-20W-4RT-850	20W	5000K	80	90lm/W	1600 lm
XH-DL-OR-20W-4RT-927	20W	2700K	90	50lm/W	1000 lm
XH-DL-OR-20W-4RT-930	20W	3000K	90	55lm/W	1100 lm
XH-DL-OR-20W-4RT-935	20W	3500K	90	60lm/W	1200 lm
XH-DL-OR-20W-4RT-940	20W	4000K	90	65lm/W	1300 lm
XH-DL-OR-20W-4RT-950	20W	5000K	90	65lm/W	1300 lm
XH-DL-OR-25W-4RT-830	25W	3000K	80	75lm/W	1875 lm
XH-DL-OR-25W-4RT-840	25W	4000K	80	80lm/W	2000 lm
XH-DL-OR-25W-4RT-930	25W	5000K	90	55lm/W	1375 lm
XH-DL-OR-25W-4RT-940	25W	4000K	90	65lm/W	1625 lm
XH-DL-OR-25W-4RT-950	25W	5000K	90	65lm/W	1625 lm

DTW: dim to warm
TW: Tunable white

D113 Square Hotel LED downlight



Technical Data

General

- Ceiling
- Wall wash downlight
- Matt White, Matt black
- External driver
- IP grade: IP40
- Aluminum reflector +Lens
- Beam angle:15/24/36/60°

LED

- 2700K/3000K/4000K/5000K
- CRI80+/90+/97+
- L90/50000h
- Initial<3 MacAdam
- LED lumen>140lm/W
- SDCM<3
- On BBL, B.BBL

Electrical

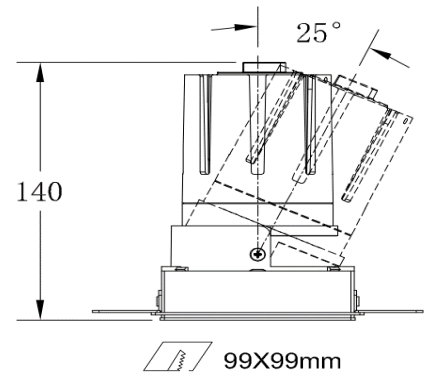
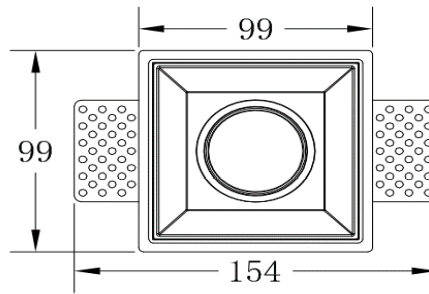
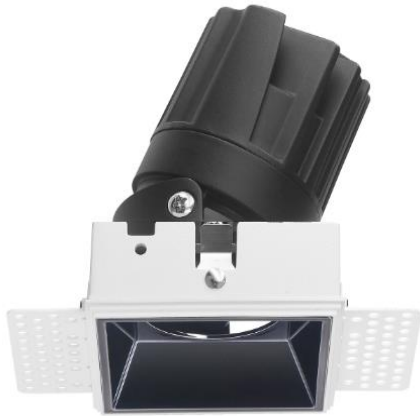
- Input:AC200-240V
- Frequency:50/60Hz
- LED voltage:DC36V
- Current: 350/500/600mA
- Wattage:15W, 20W,25W
- DALI/TRIAC/0/1-10V,ZigBee
- Lumen output:50-100lm/W

Product List: XH-DL-OR-XX (XX: 15W,20W,25W)

Product No.	Wattage	CCT	CRI	Lm/W	lumen
XH-DL-OR-15W-4S-827	15W	2700K	80	70lm/W	1050 lm
XH-DL-OR-15W-4S-830	15W	3000K	80	75lm/W	1125 lm
XH-DL-OR-15W-4S-840	15W	4000K	80	80lm/W	1200 lm
XH-DL-OR-15W-4S-850	15W	5000K	80	80lm/W	1200 lm
XH-DL-OR-15W-4S-927	15W	2700K	90	50lm/W	750 lm
XH-DL-OR-15W-4S-930	15W	3000K	90	55lm/W	825 lm
XH-DL-OR-15W-4S-935	15W	3500K	90	60lm/W	900 lm
XH-DL-OR-15W-4S-940	15W	4000K	90	65lm/W	975 lm
XH-DL-OR-15W-4S-950	15W	5000K	90	65lm/W	975 lm
XH-DL-OR-15W-4S-DTW	15W	DTW	90	60lm/W	900 lm
XH-DL-OR-15W-4S-TW	15W	TW	90	60lm/W	900 lm
XH-DL-OR-20W-4S-827	20W	2700K	80	70lm/W	1400 lm
XH-DL-OR-20W-4S-830	20W	3000K	80	75lm/W	1500 lm
XH-DL-OR-20W-4S-840	20W	4000K	80	80lm/W	1600 lm
XH-DL-OR-20W-4S-850	20W	5000K	80	90lm/W	1600 lm
XH-DL-OR-20W-4S-927	20W	2700K	90	50lm/W	1000 lm
XH-DL-OR-20W-4S-930	20W	3000K	90	55lm/W	1100 lm
XH-DL-OR-20W-4S-935	20W	3500K	90	60lm/W	1200 lm
XH-DL-OR-20W-4S-940	20W	4000K	90	65lm/W	1300 lm
XH-DL-OR-20W-4S-950	20W	5000K	90	65lm/W	1300 lm
XH-DL-OR-25W-4S-830	25W	3000K	80	75lm/W	1875 lm
XH-DL-OR-25W-4S-840	25W	4000K	80	80lm/W	2000 lm
XH-DL-OR-25W-4S-930	25W	5000K	90	55lm/W	1375 lm
XH-DL-OR-25W-4S-940	25W	4000K	90	65lm/W	1625 lm
XH-DL-OR-25W-4S-950	25W	5000K	90	65lm/W	1625 lm

DTW: dim to warm
TW: Tunable white

D99 Square Trimless Hotel LED downlight



Technical Data

General

- Ceiling
- Wall wash downlight
- Matt White, Matt black
- External driver
- IP grade: IP40
- Aluminum reflector +Lens
- Beam angle:15/24/36/60°

LED

- 2700K/3000K/4000K/5000K
- CRI80+/90+/97+
- L90/50000h
- Initial<3 MacAdam
- LED lumen>140lm/W
- SDCM<3
- On BBL, B.BBL

Electrical

- Input:AC200-240V
- Frequency:50/60Hz
- LED voltage:DC36V
- Current: 350/500/600mA
- Wattage:15W, 20W,25W
- DALI/TRIAC/0/1-10V,ZigBee
- Lumen output:50-100lm/W

Product List: XH-DL-OR-XX (XX: 15W,20W,25W)

Product No.	Wattage	CCT	CRI	lm/W	lumen
XH-DL-OR-15W-4ST-827	15W	2700K	80	70lm/W	1050 lm
XH-DL-OR-15W-4ST-830	15W	3000K	80	75lm/W	1125 lm
XH-DL-OR-15W-4ST-840	15W	4000K	80	80lm/W	1200 lm
XH-DL-OR-15W-4ST-850	15W	5000K	80	80lm/W	1200 lm
XH-DL-OR-15W-4ST-927	15W	2700K	90	50lm/W	750 lm
XH-DL-OR-15W-4ST-930	15W	3000K	90	55lm/W	825 lm
XH-DL-OR-15W-4ST-935	15W	3500K	90	60lm/W	900 lm
XH-DL-OR-15W-4ST-940	15W	4000K	90	65lm/W	975 lm
XH-DL-OR-15W-4ST-950	15W	5000K	90	65lm/W	975 lm
XH-DL-OR-15W-4ST-DTW	15W	DTW	90	60lm/W	900 lm
XH-DL-OR-15W-4ST-TW	15W	TW	90	60lm/W	900 lm
XH-DL-OR-20W-4ST-827	20W	2700K	80	70lm/W	1400 lm
XH-DL-OR-20W-4ST-830	20W	3000K	80	75lm/W	1500 lm
XH-DL-OR-20W-4ST-840	20W	4000K	80	80lm/W	1600 lm
XH-DL-OR-20W-4ST-850	20W	5000K	80	90lm/W	1600 lm
XH-DL-OR-20W-4ST-927	20W	2700K	90	50lm/W	1000 lm
XH-DL-OR-20W-4ST-930	20W	3000K	90	55lm/W	1100 lm
XH-DL-OR-20W-4ST-935	20W	3500K	90	60lm/W	1200 lm
XH-DL-OR-20W-4ST-940	20W	4000K	90	65lm/W	1300 lm
XH-DL-OR-20W-4ST-950	20W	5000K	90	65lm/W	1300 lm
XH-DL-OR-25W-4ST-830	25W	3000K	80	75lm/W	1875 lm
XH-DL-OR-25W-4ST-840	25W	4000K	80	80lm/W	2000 lm
XH-DL-OR-25W-4ST-930	25W	5000K	90	55lm/W	1375 lm
XH-DL-OR-25W-4ST-940	25W	4000K	90	65lm/W	1625 lm
XH-DL-OR-25W-4ST-950	25W	5000K	90	65lm/W	1625 lm

DTW: dim to warm
TW: Tunable white